

Snooker®



HD-130B

Hotel Ice Dispenser



Image shown with SK-329 Ice Machine Head

Features

- ETL/ETLS Certification
- Only 22" wide
- 132 lbs storage capacity
- Stainless steel exterior
- Easy to operate and maintain
- Efficient ice dispensing
- Adjustable feet
- HD-130B ice dispenser bin is compatible with 22" ice machine heads
- Ice machine sold separately



Standard Warranty
1 year parts and labour

Operating Requirements

Minimum Maximum

Ambient Air Temperature

5 °C (41 °F) 40 °C (104 °F)

Water Temperature

5 °C (41 °F) 35 °C (95 °F)

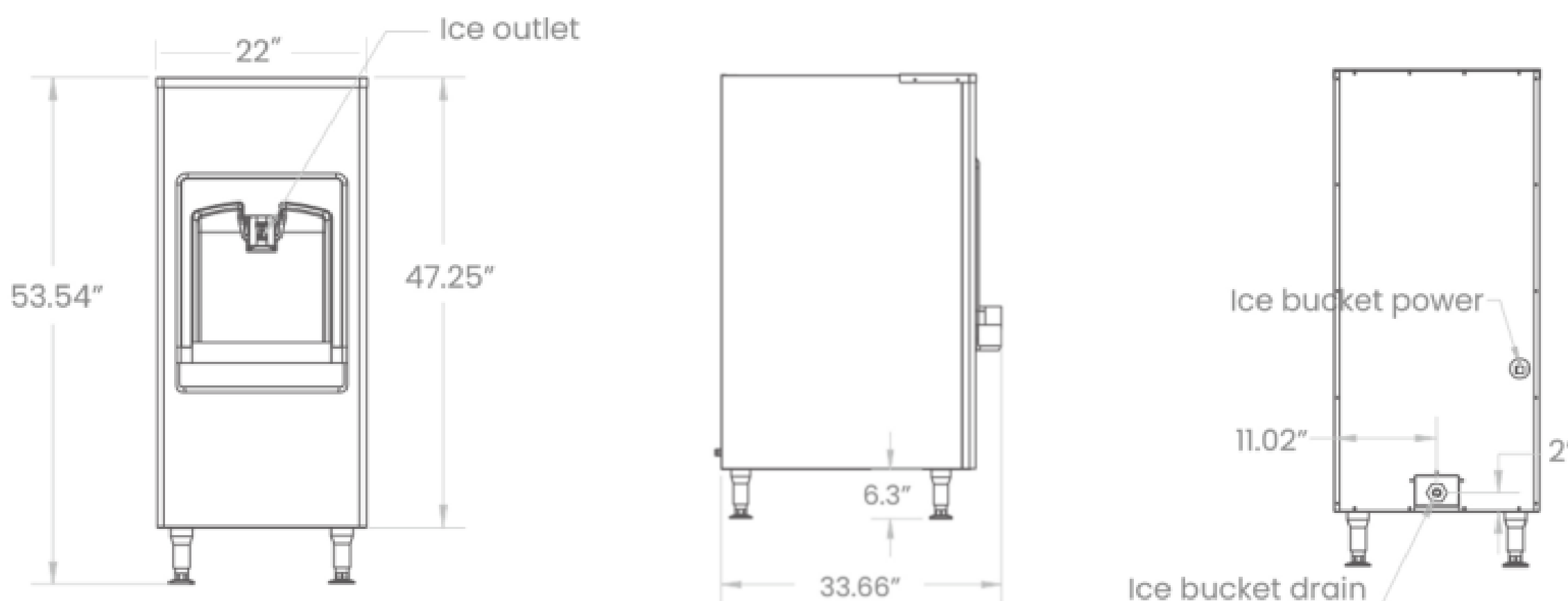
Ice Forms



Full Cube (mm)
22 x 22 x 22



Half Cube (mm)
22 x 13 x 22



Voltage	Ice Storage	Dimensions (W x D x H)	Net Weight	Shipping Dimensions (W x D x H)	Gross Weight	Capacity
115/60/1ph	132 lbs	22" x 33.7" x 53.5"	169 lbs	42" x 42" x 60.5"	220 lbs	11 lbs /min



Proud Canadian Distributor:
WESTERN REFRIGERATION & BEVERAGE EQUIPMENT LTD.

1-888-443-1946 | info@wr.ca | www.wr.ca

