

WARING COMMERCIAL®

WW250 /120 volt

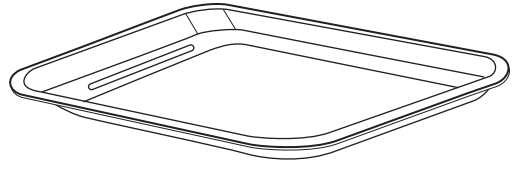
WW250B /208 volt

Unit Information

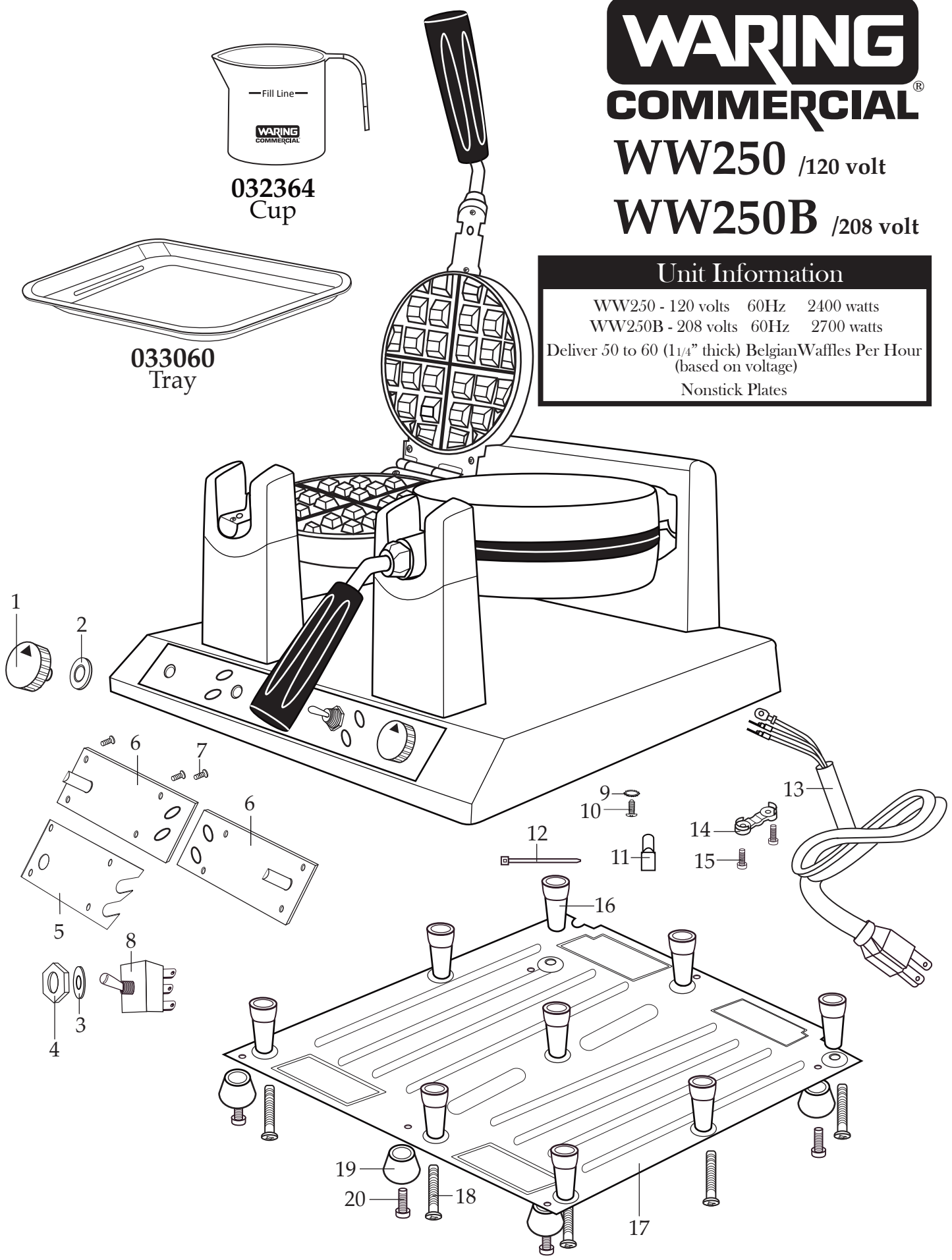
WW250 - 120 volts	60Hz	2400 watts
WW250B - 208 volts	60Hz	2700 watts
Deliver 50 to 60 (1 1/4" thick) Belgian Waffles Per Hour (based on voltage)		
Nonstick Plates		



032364
Cup



033060
Tray



Catalog/Model

WW250

WW250B



Illustration #	Part #	Description
1	027515	Browning Control Knob 2 Req.'d
2	027065	Washer 2 Req.'d
3	014604	Washer 2 Req.'d
4	016236	Hex Nut 2 Req.'d
5	027066	PC Board Shield 2 Req.'d
6	029577 033059	PC Board - WW250 /set of 2 PC Board - WW250B /set of 2
7	027068	Screw 6 Req.'d
8	027069	On/Off Switch 2 Req.'d
9	027070	Lock Washer 2 Req.'d
10	027071	Screw 2 Req.'d
11	012409	Crimp Connector 2 Req.'d
12	013731	Wire Tie 2 Req.'d
13	027072 029111	Cord Set /WW250 Cord Set /WW250B
14	027073	Cord Clamp
15	027074	Screw 2 Req.'d
16	029110	Bottom Plate
17	027517	Spacer 9 Req.'d
18	027518	Screw 9 Req.'d
19	027519	Foot 6 Req.'d
20	027520	Screw 6 Req.'d

503187 - Complete Unit Assembly/WW250

503188 - Complete Unit Assembly/WW250B