



WDF75B

8.5 lb. Deep Fryer



8.5 lb. Deep Fryer



MAIN FEATURES

- Includes 2 twin baskets with 3 lb. food capacity – stainless steel with removable handles
- 30-minute timer and variable temperature control up to 390°F
- Hinged heating element and removable stainless steel tank
- Compact footprint
- Limited One-Year Warranty


ELECTRICAL

Voltage: 208

Frequency: 60Hz

Watts: 2700

Amps: 13

Plug Type: 6-15 

Cord Length: 5 feet



SALES FEATURES

Take some pressure off the cook line during the rush with the Waring® WDF75B Compact 8.5 lb. Deep Fryer. It's great for French fries, calamari, dumplings and other small jobs. It heats up quickly and can keep up with orders without a problem. It's durable and easy to clean. Perfect for smaller kitchens with limited counter space.



@waringcommercial

©2021 Waring Commercial
314 Ella T. Grasso Avenue, Torrington, CT 06790
Tel. 800-492-7464 • Fax 860-496-9008

waringcommercialproducts.com

WDF75B

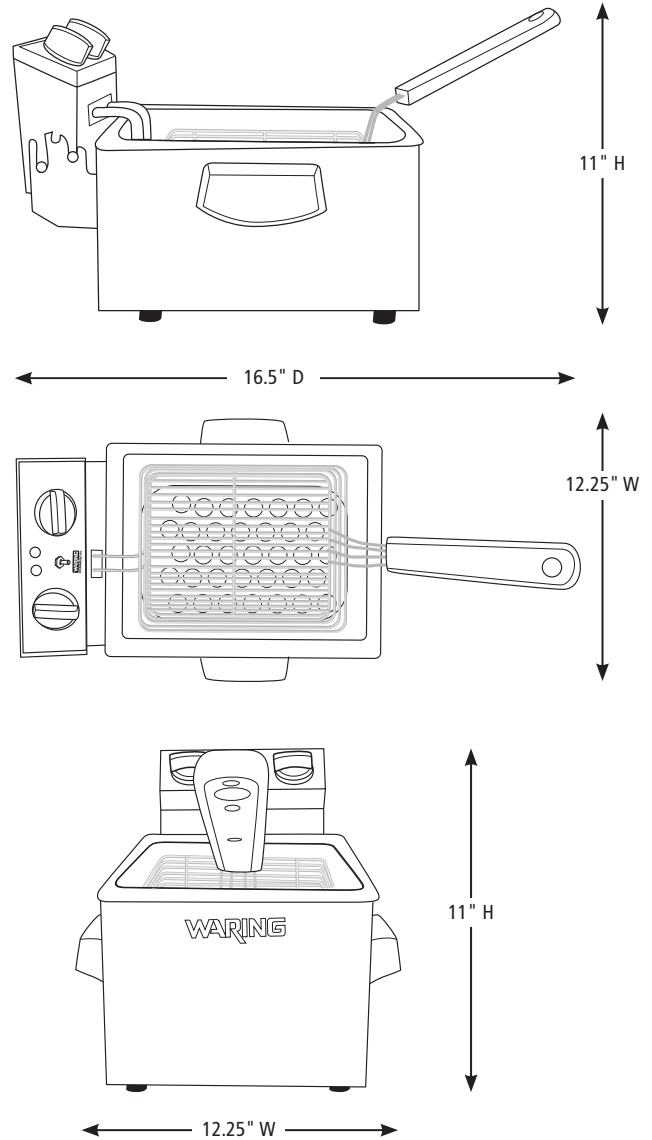


PARTS & ACCESSORIES



WDF05 Small, 1.5 lb. steel wire basket

DIMENSIONS



Out of Box Weight: 10.8 lb.

ORDERING INFORMATION	#STD. PKG.	GIFTBOX WEIGHT	CUBIC FEET	BOX DIMENSIONS D X W X H	UPC	CASE PKG.	MC WEIGHT	MC DIMENSIONS D X W X H	MBC
WDF75B – 8.5 lb. Deep Fryer	1	15.5	1.7	12.625" x 18.75" x 12.625"	040072005954	1	15.55	19.5" x 13.6" x 12.625"	10040072005951

