

30" x 72" STAINLESS STEEL WORK TABLE WITH RIGHT SINK TWTS-3072-RS



2022RV.0

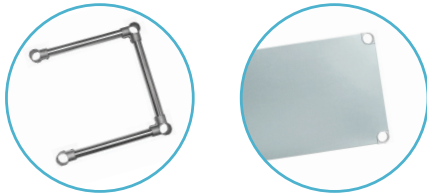
FEATURES

Faucet NOT included

- ✓ Made with high quality 18 gauge 304 stainless steel
- ✓ Dimensions: 30" x 72" x 35¹/₂" plus 5" backsplash
- ✓ Sink dimensions: 16 [D]" x 20 [W]" x 12 [H]"
- ✓ Stainless bullet feet, legs and sockets
- ✓ Central 3.5" sink drain

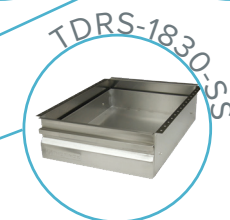


- ✓ Order with Brace kit or 430 Stainless Undershef



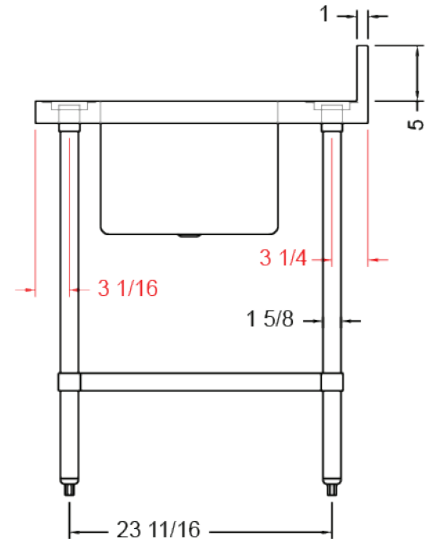
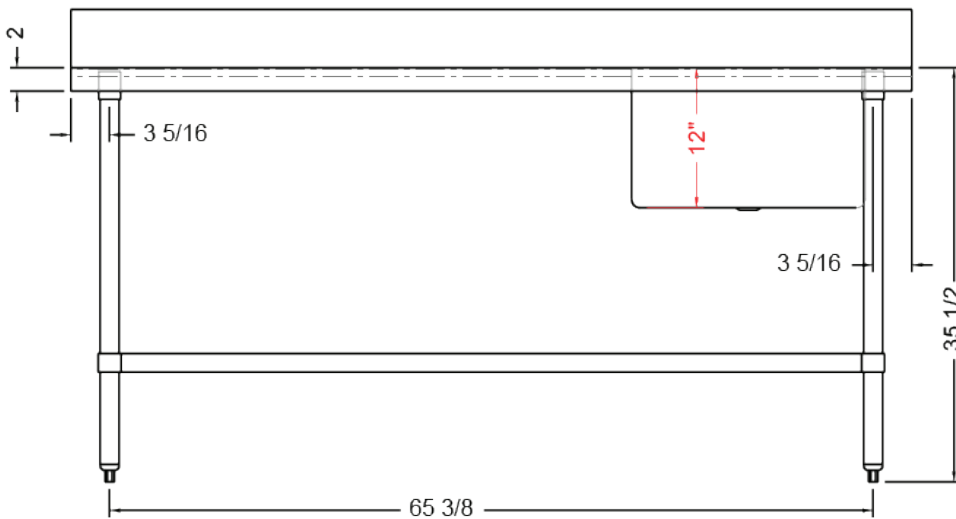
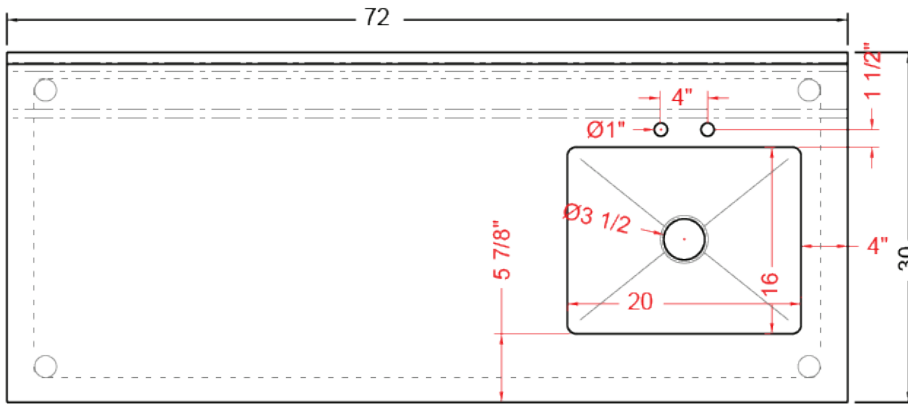
OPTIONAL ACCESSORIES

- ✓ Extra stainless steel undershef
- ✓ Deck mounted faucet with 6" swing nozzle
- ✓ Stainless steel corner table
- ✓ Single or double stainless steel drawer





TWTS-3072-RS : SINK ON THE RIGHT



ASSEMBLY/SUPPORT



f We're on social media! **ig**

1.800.567.3620 | WWW.THORINOX.COM

MORE PRODUCTS

