

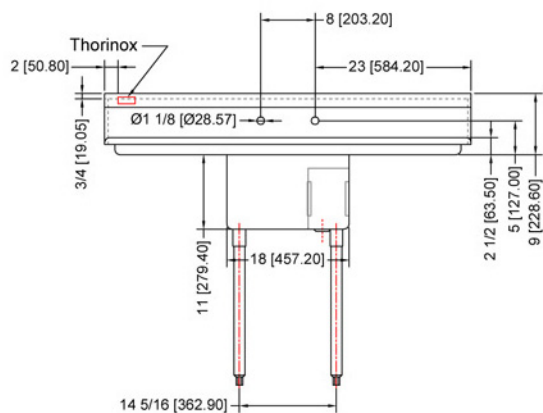


TSS-1818-RL18 SINGLE SINK, TWO DRAINBOARDS

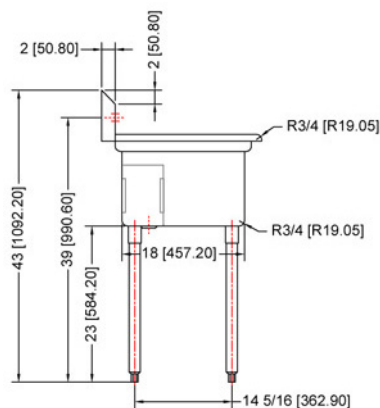


Characteristics

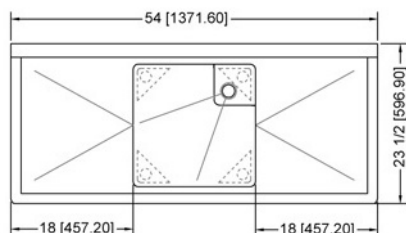
- 304 stainless steel
- Well polished welded seams
- Die-stamped creased drainboards for positive drainage
- Curved corners and rolled edges
- 9" Backsplash with 45° return
- Stainless steel legs, braces, bulletfeet and socket
- Faucet width: 8"
- 18 gauge stainless steel



FRONT



SIDE



TOP