

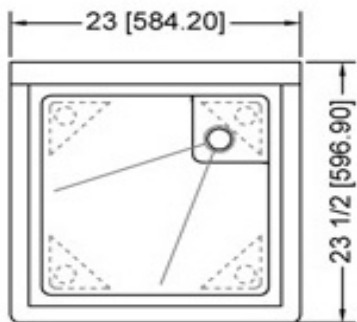


TSS-1818-0 SINGLE SINK, NO DRAINBOARD

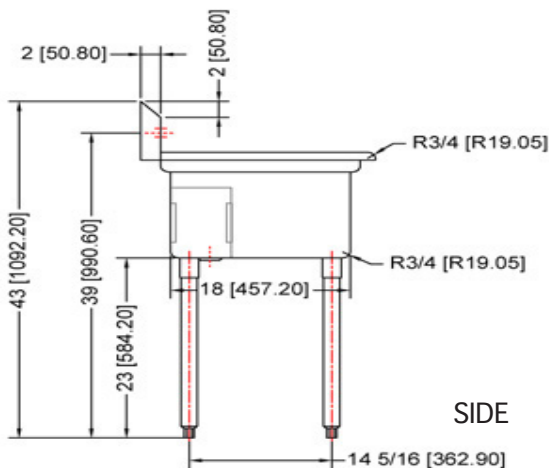


Characteristics

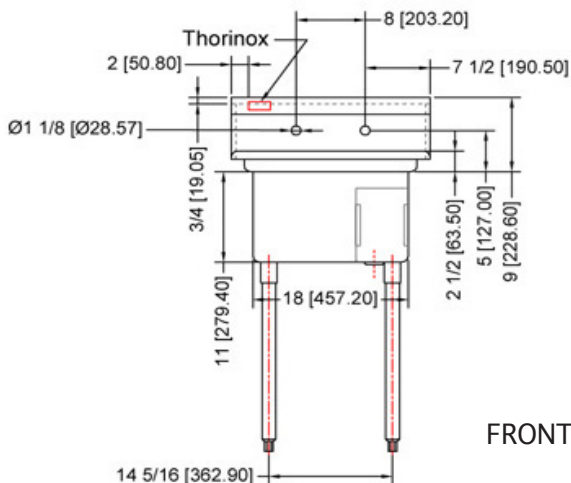
- 304 stainless steel
- Well polished welded seams
- Die-stamped creased drainboards for positive drainage
- Curved corners and rolled edges
- 9" Backsplash with 45° return
- Stainless steel legs, braces, bulletfeet and socket
- Faucet width: 8"
- 18 gauge stainless steel



TOP



SIDE



FRONT

Distributed by:
DISTEX
 www.distex.ca
Your Premium Partner