

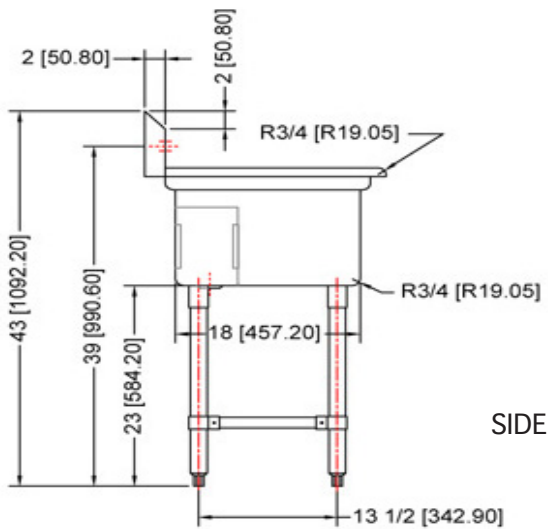


# TDS-1818-0 SINGLE SINK, NO DRAINBOARDS

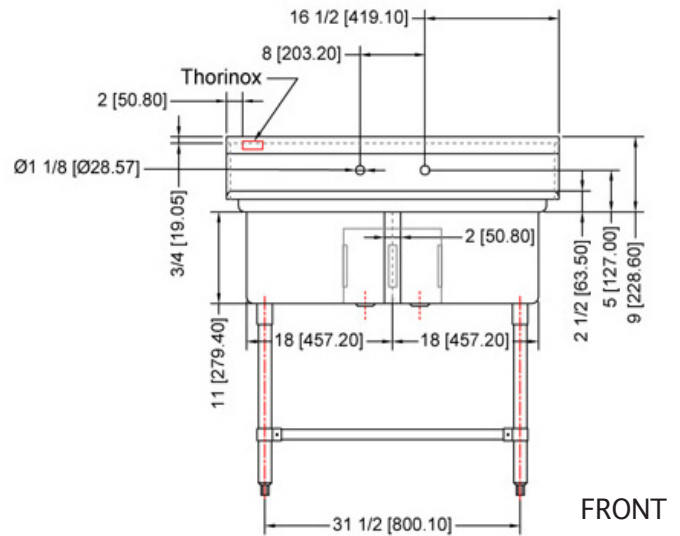


## Characteristics

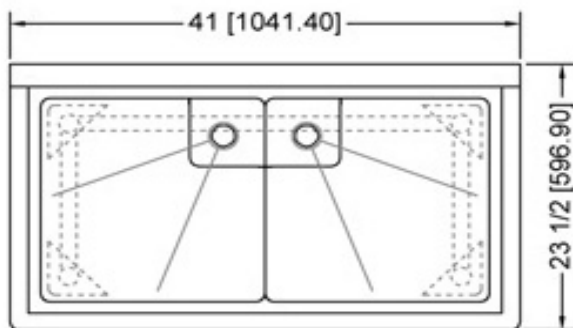
- 304 stainless steel
- Well polished welded seams
- Die-stamped creased drainboards for positive drainage
- Curved corners and rolled edges
- 9" Backsplash with 45° return
- Stainless steel legs, braces, bulletfeet and socket
- Faucet width: 8"
- 18 gauge stainless steel



SIDE



FRONT



TOP

Distributed by:  
**DISTEX**  
 www.distex.ca  
*Your Premium Partner*