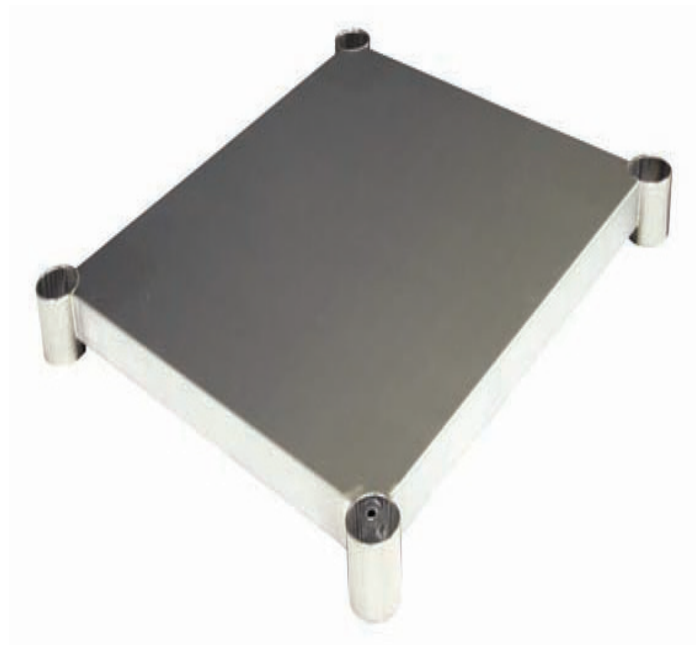


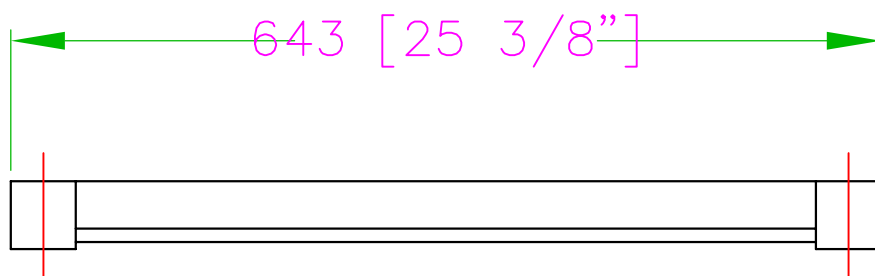
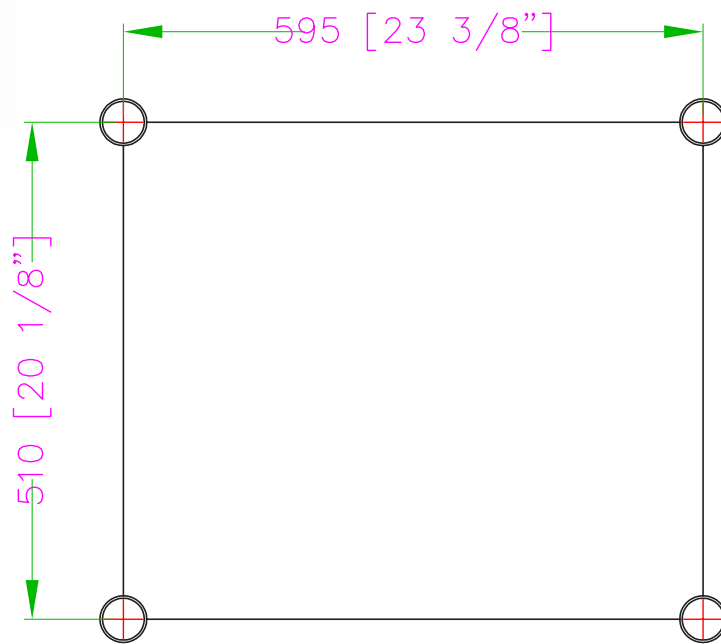
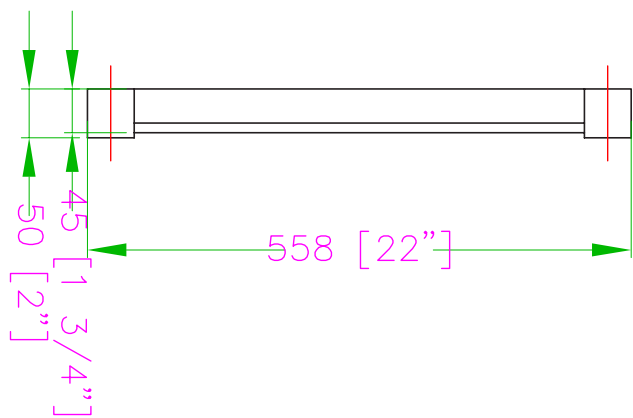


DUS-3030-SS STAINLESS STEEL UNDERSHELF



Characteristics

- 18 gauge
- Stronger and non-welded corners



Distributed by:



www.distex.ca

Your Premium Partner