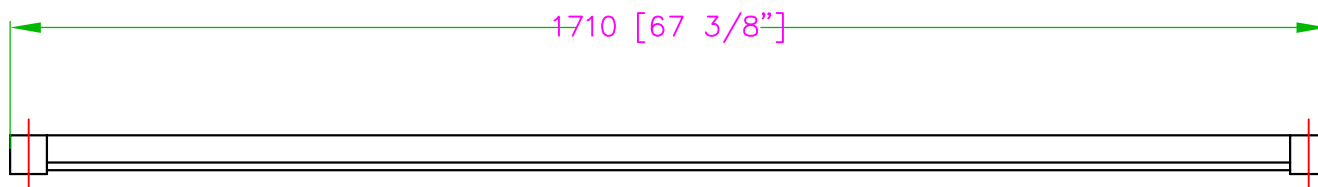
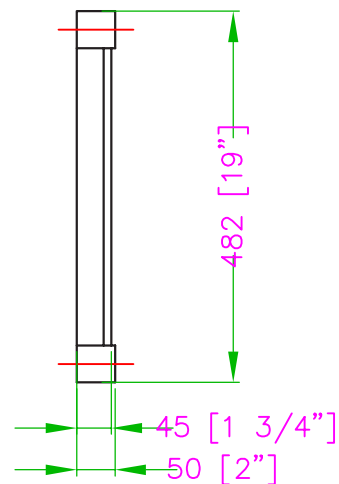
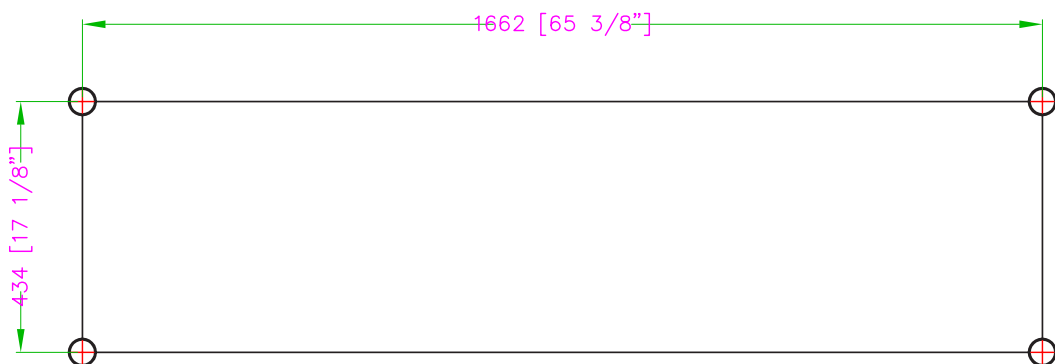
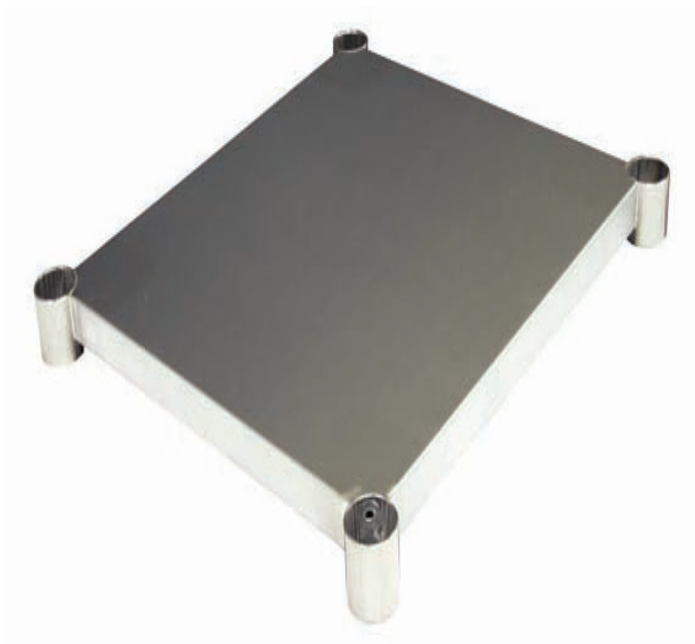




# DUS-2472-SS STAINLESS STEEL UNDERSHELF

## Characteristics

- 18 gauge
- Stronger and non-welded corners



Distributed by:



[www.distex.ca](http://www.distex.ca)

*Your Premium Partner*