



DSST-3030-BK WORKTABLE

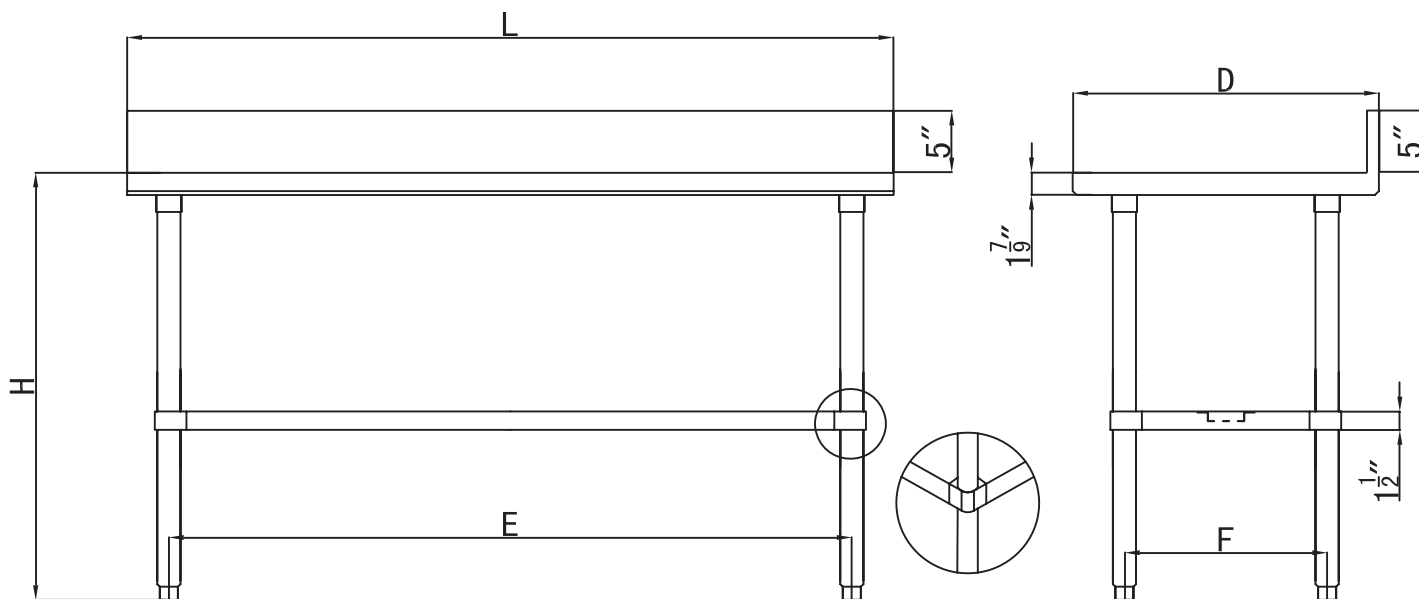


Characteristics

- Made with high quality 430 stainless steel
- Easy to assemble
- 34" Height
- Gauge 18
- Economic shipping weight

Options

- Extra stainless steel undershelf
- Adjustable stainless steel leg insert
- Set of swivel casters
- Brace bar kit



MODEL	L	D	H	E	F
DSST-3030-BK	30	30	34	23 1/2	21 4/7