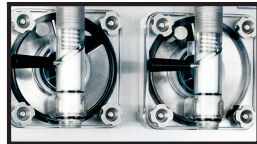


TOTALLY DIFFERENT.



Optional
Non-pressurized doors

Shown with Slushosity® Merchandising Materials
Consult Taylor distributor for merchandising options.

Shown with optional syrup storage cart

Approval Mark Note:

The Approval marks shown below may not apply to every model configuration. Approvals may vary based on Voltage, Model Option and Accessory selection, please contact your local distributor for more information.



Item No. _____

C300

Frozen Carbonated Beverage Freezer

Two Flavor

Features

Dispense a light, fluffy, high overrun slush product in a pressurized system from this modular, counter-top freezer. Optional non-pressurized system produces a wetter, lower overrun slush. Air is discharged out the top of the unit to accommodate tight counter space. Optional cart converts the unit to a self-contained floor model, and provides storage for the syrup.

Freezing Cylinder

Two, 7 quart (6.6 liter).

Dispensing Door

Clear plastic dispensing doors allow customers to see slush being made. Self closing draw handles are standard. Round dispensing nozzle conveniently fits the hole in domed lids.

Indicator Lights/Audible Alarm

Lights illuminate and audible alarm sounds to indicate loss of CO₂, water or syrup on the affected side. The opposite side will continue to operate when one side loses syrup. A snooze feature may be activated to silence the alarm for 30 minutes.

Automatic Defrost

Programmable defrost cycles allow the operator to select the time and frequency for defrosting each freezing cylinder independently. The defrost light flashes to warn customers not to draw product from the side that is being defrosted. At the end of the defrost cycle, the freezing cylinder automatically returns to the freeze-down mode.

Power Saver

During extended no-use periods, the Power Saver feature may be programmed for either Standby or Rest Mode. Standby Mode maintains product in freezing cylinder between 35 & 40°F (1.6 & 4.4°C) for quickest return to serving product. Rest Mode shuts down the refrigeration system for the most energy savings. Start and end times may be programmed independently for seven cycles.

Sure Set™ Flow Control

Automatically maintains brix settings by compensating for fluctuations in water, CO₂, and syrup pressures. Water flow is preset at the factory.

Electronic Viscosity Control

Slushtech™ is standard with our exclusive microprocessor based universal control which regulates refrigeration by measuring product viscosity.

Air Filter

Removable, cleanable air filter helps keep condenser clean for optimal refrigeration system performance.

Merchandising

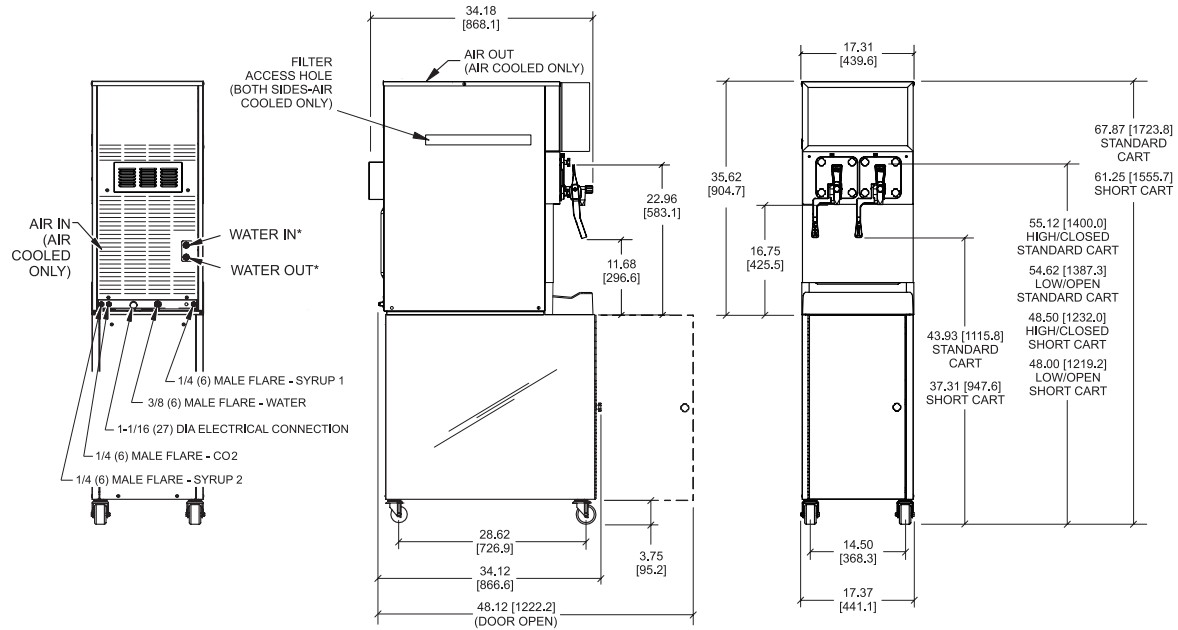
LED display backlights translight and illuminates clear dispensing doors to draw customer attention. This display provides energy efficient, even, consistent lighting.

C300

Rockton, Illinois 61072
800-255-0626
 Phone 815-624-8333 Fax 815-624-8000
www.taylor-company.com
info@taylor-company.com

International Office
 Taylor Company S.r.l.
 Roma, Italy
 Tel: +39-06-420-12002 Fax: +39-06-420-12034
 e-mail: romeoff@taylor-company.com

ISO 9001:2015
 Registered Firm



FIGURES IN BRACKETS INDICATE MILLIMETERS / DECIMAL AND FRACTIONAL DIMENSIONS EQUAL TO (PLUS OR MINUS 1/16 INCH [1.5mm] / *WATER COOLED ONLY).

Weights	lbs.	kgs.
Net	335	152.0
Crated	383	173.7
	cu. ft.	cu. m.
Volume	23.9	0.68
Dimensions	in.	mm.
Width	17-5/16	439
Depth	34-3/16	868
Height	35-5/8	905

*Designed to rest on a plastic pad directly on counter top or optional cart.

	Left		Poles (P) Wires (W)
	Maximum Fuse Size	Minimum Circuit Amp	
Electrical			
208-230/60/1 Air	30	19	2P3W
208-230/60/3 Air	20	14	3P4W
220-240/50/1 Air	25	17	2P3W
380-425/50/3N-Air	10	8	4P5W

This unit may be manufactured in other electrical characteristics. Refer to the local Taylor Distributor for availability.
(For exact electrical information and approval marks, always refer to the data label of the unit.)

Continuing research results in steady improvements; therefore, these specifications are subject to change without notice.

Bidding Specs

Electrical: Volt _____ Hz _____ ph _____
Neutral: Yes No **Cooling:** Air Water NA

Options: _____

Authorized Taylor Distributor

Specifications

Electrical

One dedicated electrical connection is required. See the Electrical chart for the proper electrical requirements. Manufactured to be permanently connected. Consult your local Taylor distributor for cord & receptacle specifications as local codes allow.

Beater Motor

One, 1/4 HP.

Refrigeration System

One, 18,000 BTU/hr compressor (nominal rating). R449A. (Actual BTUs will vary based on application.)

Carbonation System

Self-contained carbonation system. Syrup, water and CO₂ fittings connect at the rear of the machine.

Potable Water Pressure

Minimum 25 PSI for proper operation of carbonation system.

Air Cooled

Minimum Clearance: 3" (76 mm) on one side, 3" (76 mm) at the rear, and 12" (305 mm) on the top of the unit. Minimum air clearances must be met to assure adequate air flow for optimum performance.

Options

- Non-pressurized
- Syrup Tank Fittings
- Syrup Storage Cart Model C202: Includes shelves for storing BIB FCB syrups and mounting BIB pumps (not included).
- C202 Cart, Standard Height with Casters
- C206 Cart, Standard Height with Casters, with Pump
- C206 Cart, Standard Height with Casters, with Black Panels

All options may not be available in combination with others or with all electrical or cooling configurations. Please consult your local Taylor distributor.



750 N. Blackhawk Blvd.
Rockton, Illinois 61072
www.taylor-company.com