

# C043

## Continuous Dispensing Custard Dispenser



### Requires three remote condensing systems

(Three Taylor Model RC35 Remote Condensing Systems required for warranty coverage)

### Features

Offer premium frozen custard, low overrun ice cream, or sorbet in three separate flavors.

### Mix Hopper

Three, 30 quart (28.4 liter). Separate hopper refrigeration (SHR) maintains mix below 41°F (5°C).

### Indicator Lights

Lights indicate when mix is low in the hopper.

### Product Chute

Ribbon of frozen product flows down chute to separate dipping cabinet. Easily removable for cleaning or moving dipping cabinet.

### Mix Flow Regulator

Convenient dials with easy to read markings allow operator to adjust the correct amount of mix flowing into freezing cylinder for proper consistency.

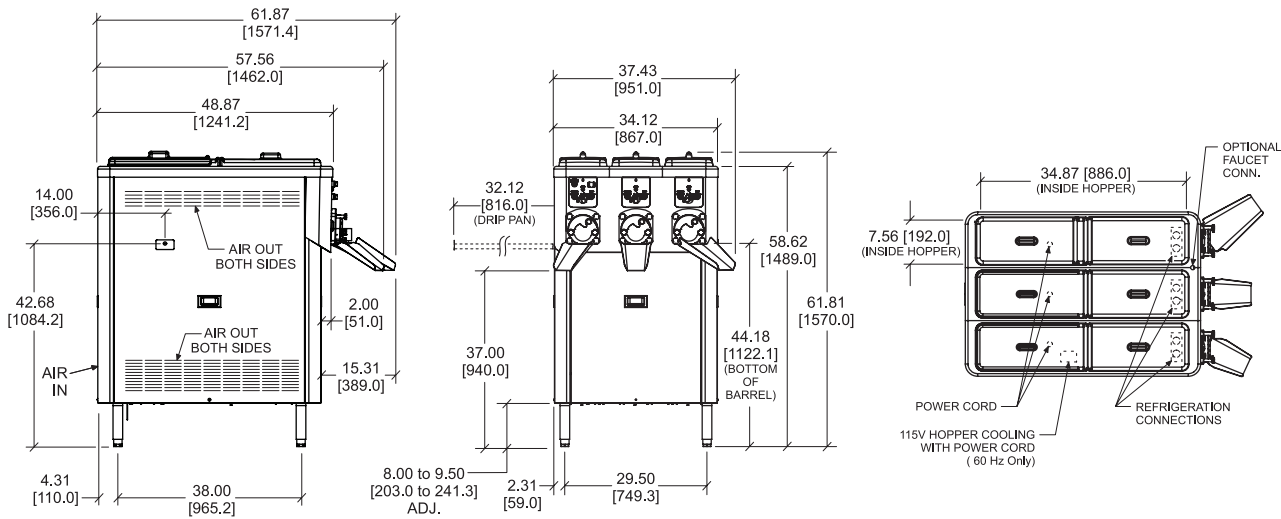
### Safety Features

To protect users from accidental injury:

- Beater motor will not rotate unless door is in place.
- Finger guards installed in opening of dispensing door.

### Approval Mark Note:

The Approval marks shown below may not apply to every model configuration. Approvals may vary based on Voltage, Model Option and Accessory selection, please contact your local distributor for more information.



TOP VIEW - OPERATOR END  
ALL CONNECTIONS LOCATED UNDERSIDE OF BASE

FIGURES IN BRACKETS INDICATE MILLIMETERS / DECIMAL AND FRACTIONAL DIMENSIONS EQUAL TO ( PLUS OR MINUS 1/16 INCH [1.5mm] ).

Weights	lb.	kg
Net	943	427.7
Crated	1091	494.9

\*For reference only

	cu. ft.	cu. m
Volume	84.8	2.40

Dimensions	in.	mm
Width	34-1/8	867
Depth	48-7/8	1242
Height	61-13/16	1570
Clearance	8 to 9-1/2 Adj.	203 to 241 Adj.

Mounted on standard legs

Electrical	Maximum Fuse Size	Minimum Circuit Ampacity	Poles (P) Wires (W)	Dedicated Connections
Four Dedicated Connections	20	8	3P 4W	3

Electrical	Maximum Fuse Size	Minimum Circuit Ampacity	Poles (P) Wires (W)	Dedicated Connections
Three Dedicated Connections	12	11	4P 5W	3

## Specifications

### Electrical

Four dedicated electrical connections are required for 60 Hz. and 50/60 Hz.

Three dedicated electrical connections are required for 50 Hz. See the electrical chart for the proper electrical requirements. Dispensing electrical connections may be permanently connected. Hopper cooling is cord connected. Consult your local Taylor distributor for cord and receptacle specifications as local codes allow.

### Beater Motor

Three, 2.0 hp.

### Refrigeration System

Requires three remote condensing systems. (Taylor Model RC35 required for warranty coverage)  
Refrigerant lines from C043 to RC35:  
Suction Line - 7/8 in. O.D. (Copper)  
Discharge Line - 3/8 in. O.D. (Copper)

### Separate Hopper Air Cooled Refrigeration

One, 1,000 BTU/hr. R134a (BTUs may vary depending on compressor used.)  
Requires separate 115 volt power supply, cord connected.

### Clearance

Minimum Clearance of 3 in. (76 mm) on left side and rear, 0 in. (0mm) on right side. Drip pan can be installed on either side. Allow 36 in. (914 mm) on the side drip pan is installed. Allow 36 in. (914 mm) in the rear for service access.

## Options

- Dipping Cabinet (Consult your local Taylor distributor)
- Dipping Well (Consult your local Taylor distributor)
- Faucet

This unit may be manufactured with other electrical characteristics and may have additional regulatory agency approvals. Consult the local Taylor Distributor for other electrical characteristics and agency approvals based on specific electrical and country requirements.

(For exact electrical information, approval marks, and refrigerant, always refer to the data label of the unit.)

**Continuing research results in steady improvements. Therefore, these specifications are subject to change without notice.**

### Bidding Specs

Electrical: Volt \_\_\_\_\_ Hz \_\_\_\_\_ ph \_\_\_\_\_  
Neutral:  Yes  No Cooling:  Air  Water  NA

Options: \_\_\_\_\_

All options may not be available in combination with others or with all electrical or cooling configurations. Please consult your local Taylor distributor.

### Authorized Taylor Distributor



750 N. Blackhawk Blvd.  
Rockton, Illinois 61072  
www.taylor-company.com