

# SERVER®

• E S S E N T I A L S •

## Topping Warmers Single and Twin Merchandisers

SPECIFICATION SHEET

### FAST FACTS

EZ-Topper® Warmers serve up to 98% of fudge or caramel topping from either 48 or 96 oz pouches with a 16 mm center fitment in a 1 oz max serving that can be reduced in 1/8 oz increments

### APPLICATIONS

- Ideal for self-serve dessert stations as tamper-resistant packaging brings peace of mind
- High-volume operations looking to optimize downtime during changeouts
- Lower-volume or sporadic-use operations serving topping over an extended period of time

### DETAILS

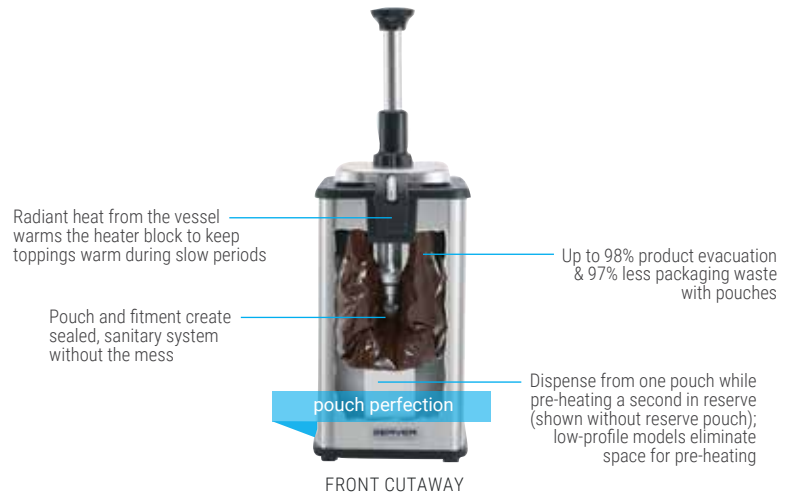
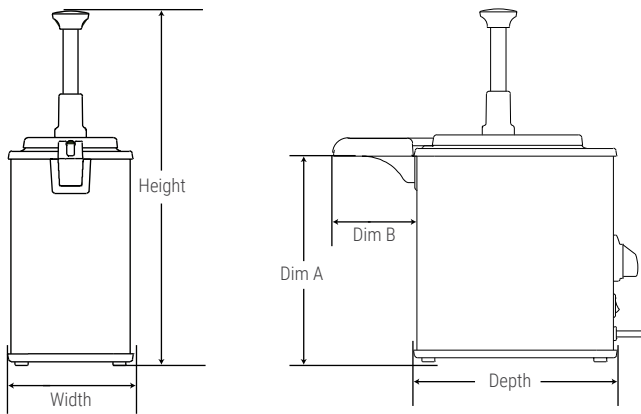
- Promote dessert consistency with portion control; 1 oz pump serving is adjustable in 1/8 oz increments
- Dispense more servings with eco-friendly pouched topping dispensers; deliver up to 98% evacuation and create 97% less packaging waste than cans
- Minimize downtime during changeouts – twin models dispense from one pouch while pre-heating a second in reserve



## Purposefully made to last.

### EZ-TOPPER® POUCHED TOPPING WARMER MODELS: EZT, EZT-S, & EZT 96 OZ

Server EZ-Topper® Warmers accept either 48 or 96 oz topping pouches with 16 mm center fitment and are available with and without room to pre-heat a reserve pouch. Twin warmers use individual temperature sensing thermostats to control wrap-around heating elements for accurate heating and holding. Temperatures range from 100°F to 200°F. Pumps dispense 1 oz max stroke adjustable in 1/8 oz increments. Black knobs standard; units include black engraved replacement knobs reading Caramel and Fudge. 72" electrical cord standard. NSF listed. C-UL-US listed. Two-year warranty.



order amt	model/item	description	capacity	dims (H x W x D)	dim a	dim b	plug	voltage	watts/amps	weight
<input type="checkbox"/>	<a href="#">EZT-S 85790</a>	single tall with heated spout	(2) 48 oz pouches; (1) active; (1) reserve	17 3/8" x 6" x 9 5/8"	10 1/4"	3 7/8"		120AC	200W 1.7A	14 lb
<input type="checkbox"/>	<a href="#">EZT 85899</a>	twin tall with heated spout	(4) 48 oz pouches; (2) active; (2) reserve	17 3/8" x 11 7/8" x 9 5/8"	10 1/4"	3 7/8"			400W 3.3A	26 lb
<input type="checkbox"/>	<a href="#">EZT 85920</a>	twin short with heated spout	(2) 48 oz pouches	13 15/16" x 11 7/8" x 9 5/8"	6 13/16"	3 7/8"			300W 2.5A	23 lb
<input type="checkbox"/>	<a href="#">EZT 96 oz 102831</a>	96 oz twin tall with heated spout	(2) 96 oz pouches	20 1/2" x 11 7/8" x 9 5/8"	14 1/4"	3 7/8"			400W 3.3A	28 lb

### RELATED PRODUCTS

#### SLIMLINE™ DRY FOOD DISPENSERS

SlimLine™ Dry Food Dispensers display and dispense preset portions of up to (4) candies, toppings, or mix-ins in less than 13" of wall space. Control costs with precise portion control; color-coded trays identify serving size. Stands are available for countertop dispensing.



DECREASE WASTE AND INCREASE WOW WITH EZ-TOPPER® POUCHED TOPPING WARMERS  
 SERVER-PRODUCTS.COM | 800.558.8722 | 262.628.5600