

SPECIAL-MARKET

1175.6SMG/SMiG

DESIGN

The SPECIAL MARKET range of rotisseries have been designed with performance, practicality and mobility in mind. Light weight and compact they are the ideal rotisserie for markets and food trucks and offer a rapid output together with cooking quality.

Conscious of the cost involved for our clients, the SPECIAL MARKET rotisserie has energy saving infrared burners, patented by Rotisol, that enables the rapid roasting of a variety of products.

FEATURES

- Independent motors
- Spits with Bakelite handles
- Optional lighting
- Independent infrared burners with interchangeable ceramic bricks
- 2 tempered glass doors (removable for transport)
- Optional personalised removable roof signage
- Equipped with bottom drip tray with drainage tap

FINISHES

Standard model in finished STAINLESS STEEL. A choice of front coloured panels are available



1175.6SMG

Black front panels and stainless steel finish



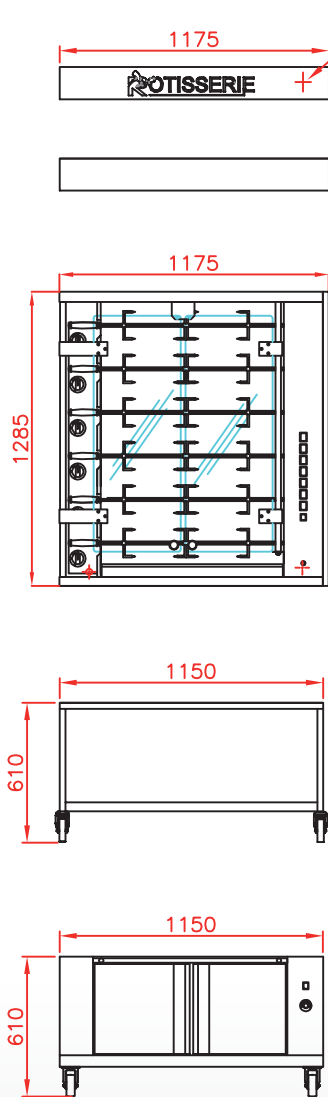
ACCESSORIES

A variety of accessories are available for the unit. Video of available [accessories](#).

CUI1175 Anti-cutting prongless spit.		BP1175 Chicken spit.		BRC1175 Basket spit.	
BS1175 Sabre spit for ham / turkey.		BRRO1175 Roast-clamp spit.		AT Gas lighter.	
BCR1175 Spatchcock chicken spit.		GSV1175 Raised rack for meat storage.		DEC Spit mover.	

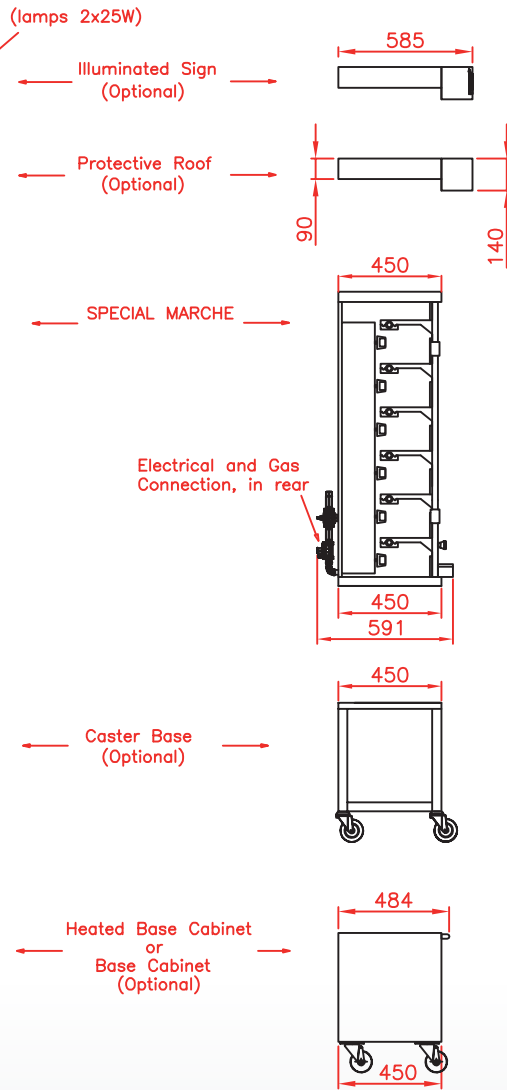
Front view

Rotisserie with roof (optional) and base on casters (optional)



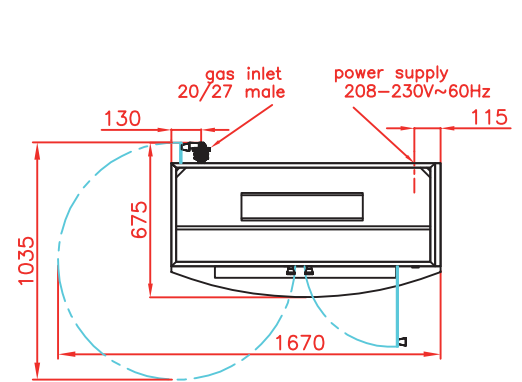
Side view

Rotisserie with roof (optional) and base on casters (optional)



Top view

Rotisserie with roof (optional) and base on casters (optional)



1175.6SMiG

Stainless steel finish



Revised : January 2017

SPECIFICATIONS

Gas Power	Natural : 61500 BTU/h ; Propane : 56500 BTU/h.
Gas minimum pressure	Natural : 17,4 mbar. Propane : 27,4 mbar.
Gas connector	¾" male
Electricity	208-230 Volts 1 phase + neutral + earth
Capacity	24/30 poultries (depending on size)
Warranty	1 year parts and labor
Venting	Hood installed conformly with all local codes
Minimum clearance	2½" on the right, left and rear side
Shipping weight	135 kg

CANADA DISTRIBUTOR

Rotisol S.A.S.

Zone industrielle La Trentaine, Avenue Gustave Eiffel
77507 Chelles cedex - FRANCE
bennell@rotisol.com - Tel : +33 1 64 21 80 00
www.rotisol.com

Celco Inc.

www.celco.ca

585 Secretariat Court, Mississauga, Ontario, L5S 2A5
(905) 364-5200 1-866-77CELCO (23526) info@celco.ca