

# Rosko

# RO-RCE

## Electric Countertop Range

 RO-RCE-12-1

 RO-RCE-12-2


RO-RCE-12

You could also like our Gas Countertop Ranges  
RO-RCG

### Option

 RO-ACC-4LEG - Set of 4" (102 mm) Adjustable Legs

### Construction

- Made of grade 430 stainless steel
- Removable surface elements
- Rear splash guard
- 1" (25 mm) adjustable stainless steel feet

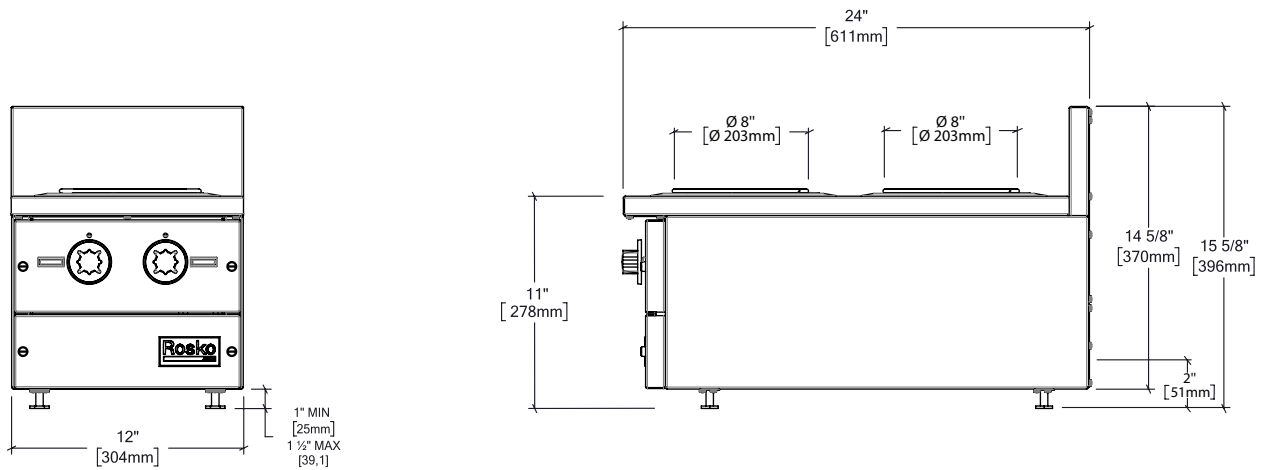
### Operation

- Made for 208 V or 240 V electric power supply
- Power output of 4 200 W
- Independent indicator lights
- Temperature controlled by independent power dissipators

### Legal

- Suitable for installation on a combustible surface
- All models require a 4" (102 mm) clearance on both sides as well as behind the unit if next to combustible material
- All models require commercial installation and are not intended for residential use
- One (1) year limited warranty on parts and labor
- Certified to CSA C22.2 No 109-17 standards





Model	Width	Depth	Total height	Cooking surface	Weight	Packaging dimensions (W x D x H)
RO-RCE-12-1	12" - 305 mm	24" - 610 mm	15 5/8" - 396 mm	12 x 24" 305 x 610 mm	45 lb - 20 kg	18 x 36 x 21"
RO-RCE-12-2						457 x 914 x 533 mm

Model	Total output	Number of controls/elements	Voltage	Amperage 1 phase
RO-RCE-12-1	4 200 W	2	208 V	20,10 A
RO-RCE-12-2			240 V	17,50 A