

# Rosko

# RO-PGCE

## Electric Countertop Panini Grill

 RO-PGCE-18-1

 RO-PGCE-18-2


RO-PGCE-18-1



### Construction

- Made of grade 430 stainless steel
- 1/2" (13 mm) thick steel cooking plate
- 3/8" (10 mm) steel top plate with a counterweight
- 3" (77 mm) high splash guards on three (3) sides
- Removable grease pan drawer
- 1" (25 mm) adjustable stainless steel feet

### Operation

- Made for 208 V or 240 V electric power supply
- Power output of 6 000 W
- Independent indicator lights
- Thermostatic control with a temperature range from 150 °F to 450 °F (65 °C to 232 °C)
- Independent power dissipator for top plate

### Legal

- Suitable for installation on a combustible surface
- All models require a 1" (25 mm) clearance on both sides as well as behind the unit if next to combustible material
- All models require commercial installation and are not intended for residential use
- One (1) year limited warranty on parts and labor
- Certified to CSA C22.2 no. 109-17 standards

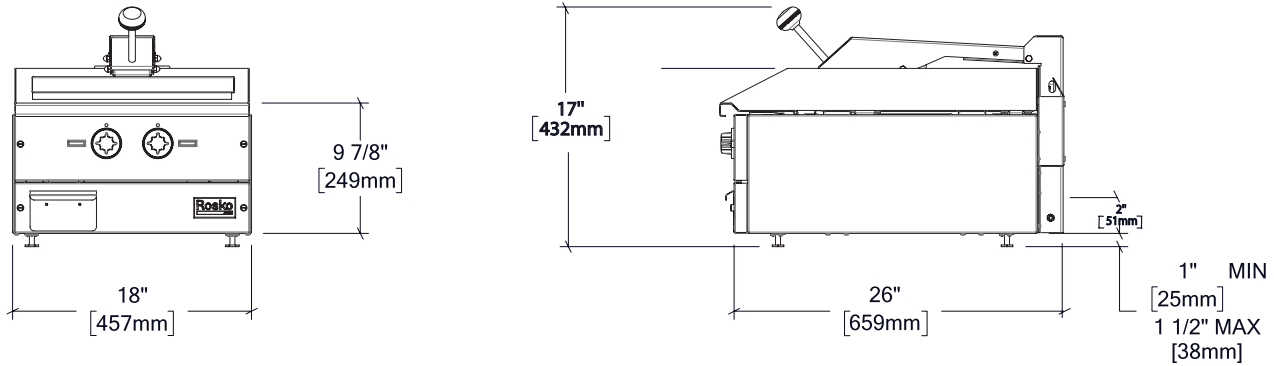
### Option

 RO-ACC-4LEG - Set of 4" (102 mm) Adjustable Legs


955, rue Lachance  
 Québec, QC G1P 2H3  
 Canada

1 800 461-3377  
 roskoequipment.ca

*Due to the continuous development of the product,  
 specifications are subject to change without notice*



Model	Width	Depth	Total height	Cooking surface	Weight	Packaging dimensions (W x D x H)
RO-PGCE-18-1	18" - 457 mm	26" - 660 mm	17" - 432 mm	17 1/2 x 19" 444 x 483 mm	170 lb - 77 kg	20 x 30 x 28" 508 x 762 x 711 mm
RO-PGCE-18-2						

Model	Total output	Number of elements	Number of controls	Voltage	Amperage 1 phase	Amperage 3 phases		
						(B)	(W)	(R)
RO-PGCE-18-1	6 000 W	2	1	208 V	28,80 A	9,60 A	28,80 A	19,70 A
RO-PGCE-18-2				240 V	25,00 A	8,30 A	25,00 A	16,60 A