

Rosko

RO-OSD

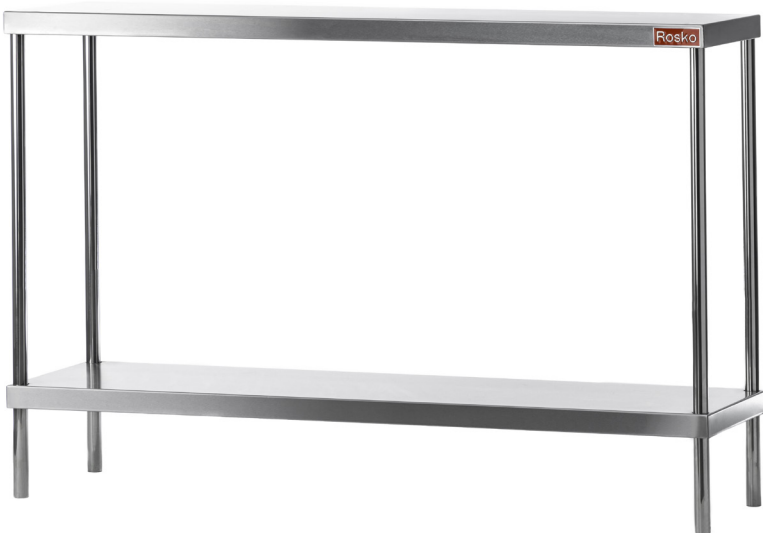
Double Shelf for Worktable

RO-OSD-3612

RO-OSD-4812

RO-OSD-6012

RO-OSD-7212

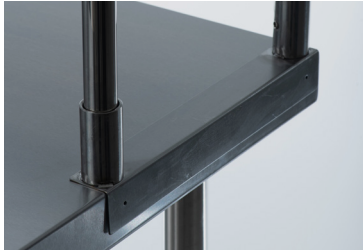


RO-OSD-4812

Features

- Made of grade 430 stainless steel – 18 gauge
- Adjustable stainless steel bottom shelf included
- Quick and easy to assemble
- Designed for edge mount installation
- One (1) year limited warranty on parts and labor
- Certified to NSF/ANSI 2 standards

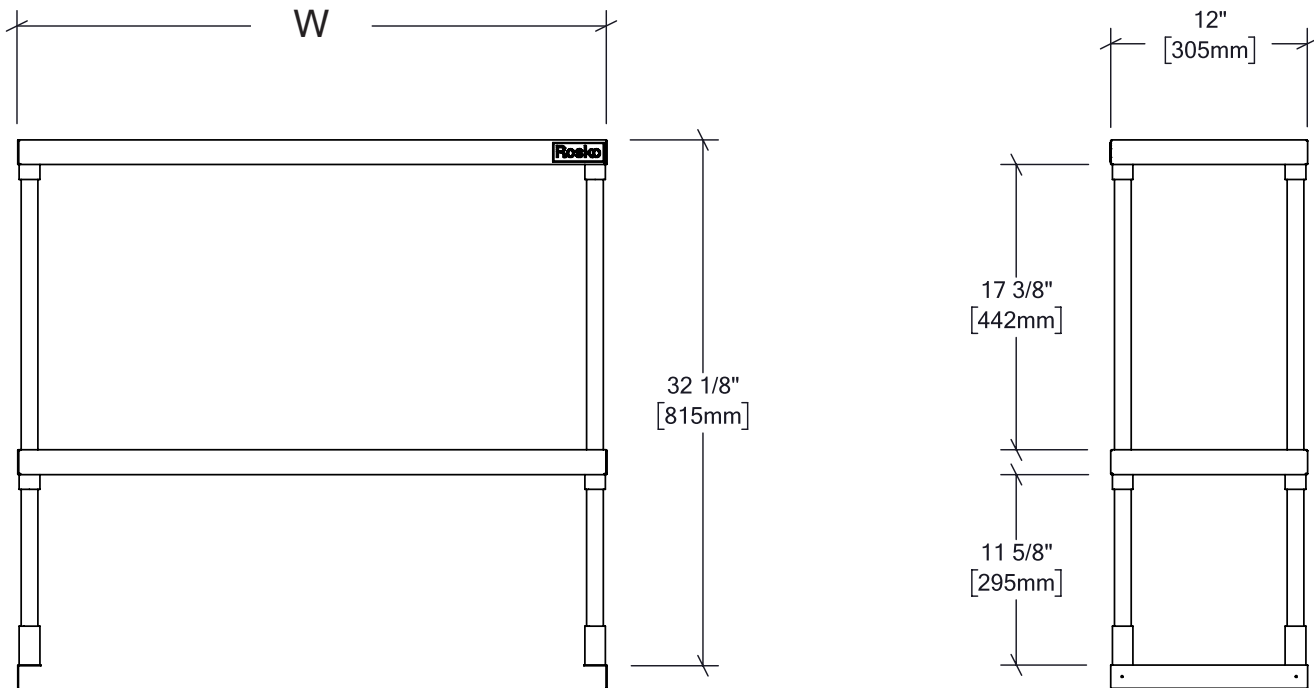
You could also like our Worktables RO-WT



955 Lachance Street
Québec, QC G1P 2H3
Canada

1 800 461-3377
roskoequipment.ca

Due to the continuous development of the product, specifications are subject to change without notice.



Model	Width (W)	Depth	Height	Weight	Packaging dimensions (W x D x H)
RO-OSD-3612	36" - 914 mm	12" - 305 mm	32" - 813 mm	24 lb - 11 kg	38 x 14 x 4" 965 x 356 x 102 mm
RO-OSD-4812	48" - 1219 mm			29 lb - 13 kg	50 x 14 x 4" 1270 x 356 x 102 mm
RO-OSD-6012	60" - 1524 mm			34 lb - 15 kg	62 x 14 x 4" 1575 x 356 x 102 mm
RO-OSD-7212	72" - 1829 mm			39 lb - 18 kg	74 x 14 x 4" 1880 x 356 x 102 mm