

Rosko

RO-HS24

Portable Hand Wash Station

<input type="checkbox"/> RO-HS24-C-CW-MET	<input type="checkbox"/> RO-HS24-C-HW-MET	<input type="checkbox"/> RO-HS24-A-CW-MET	<input type="checkbox"/> RO-HS24-A-HW-MET
<input type="checkbox"/> RO-HS24-C-CW-AUTO	<input type="checkbox"/> RO-HS24-C-HW-AUTO	<input type="checkbox"/> RO-HS24-A-CW-AUTO	<input type="checkbox"/> RO-HS24-A-HW-AUTO



RO-HS24-C-CW-AUTO

Construction

- Entirely made of grade 304 stainless steel - 18 gauge
- All models are fully assembled and ready to use
- Integrated sink 15 x 15 x 5" (381 x 381 x 127 mm)
- 1½" (38 mm) NPT centered drain
- Closed base with door, handle and keyed cam lock
- 4" (102 mm) swivel casters with front lock

Operation

- Connected or autonomous versions available: autonomous versions include a water pump and two (2) tanks
- Cold water or hot water use versions available: hot water use versions include a water heater
- Available with push metering or automatic sensor faucet
- 120 V electric power supply, 10' electrical cord included (for autonomous and/or hot water use models)

Legal

- One (1) year limited warranty on parts and labor
- Components certified to NSF, CSA and UL standards

Option

- RO-ACC-HS24-TD – Paper Towel Dispenser
- RO-ACC-HS24-SD – Automatic Soap Dispenser with Support

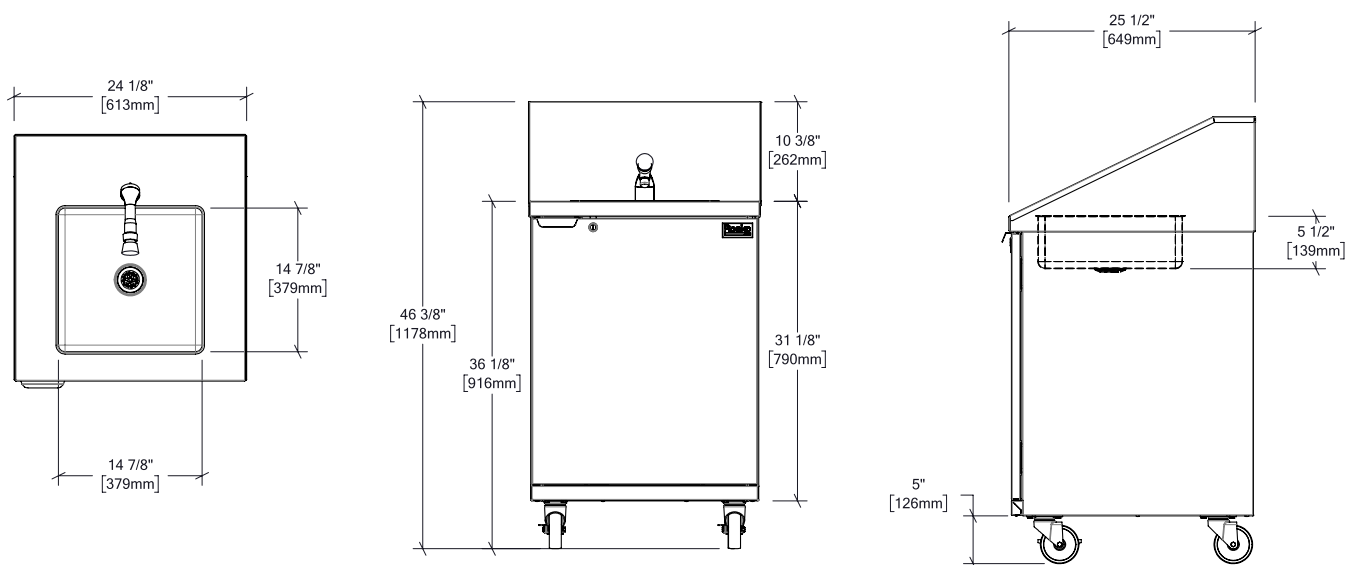
955 Lachance Street
 Québec, QC G1P 2H3
 Canada

1 800 461-3377
 roskoequipment.ca

Due to the continuous development of the product, specifications are subject to change without notice.

Rosko

RO-HS24



Model	Overall dimensions (W x D x H)	Sink height	Weight	Packaging dimensions (W x D x H)
ALL MODELS	24 ¹ / ₈ x 25 ¹ / ₂ x 46 ³ / ₈ " 613 x 651 x 1178 mm	36 ¹ / ₈ " - 918 mm	160 lb - 73 kg	38 x 38 x 64" 965 x 965 x 1626 mm

Model	Series	Water temperature	Faucet type	Hand wash capacity	Water supply	Water discharge	Electrical supply
RO-HS24-C-CW-MET	Connected	Cold	Metering valve	Unlimited	City water ½" flex hose 30" long	Égoût Boyau ¾" MHT 60" de long	N/A
RO-HS24-C-CW-AUTO			Automatic				
RO-HS24-C-HW-MET		Hot	Metering valve				
RO-HS24-C-HW-AUTO			Automatic				
RO-HS24-A-CW-MET	Autonomous	Cold	Metering valve	75 (appro.)	5 gal - 18 L tank	7 gal - 26 L tank	120 V, 20 Amp
RO-HS24-A-CW-AUTO			Automatic				
RO-HS24-A-HW-MET		Hot	Metering valve				
RO-HS24-A-HW-AUTO			Automatic				