

# Rosko

# RO-HDSCE

## Electric Countertop Steamer

 RO-HDSCE-18-1

 RO-HDSCE-18-2


RO-HDSCE-18-1



### Construction

- Made of grade 430 stainless steel
- Modular tank with two (2) steaming sections
- Removable hinged lid
- Intermediate plate with four (4) round ports included
- 1" (25 mm) adjustable stainless steel feet

### Operation

- Made for 208 V or 240 V electric power supply
- Power output of 2 000 W
- Indicator light
- Temperature controlled by power dissipator

### Legal

- Suitable for installation on a combustible surface
- All models require a 1" (25 mm) clearance on both sides as well as behind the unit if next to combustible material
- All models require commercial installation and are not intended for residential use
- One (1) year limited warranty on parts and labor
- Certified to CSA Std C22.2 No.109-17 standards

### Option

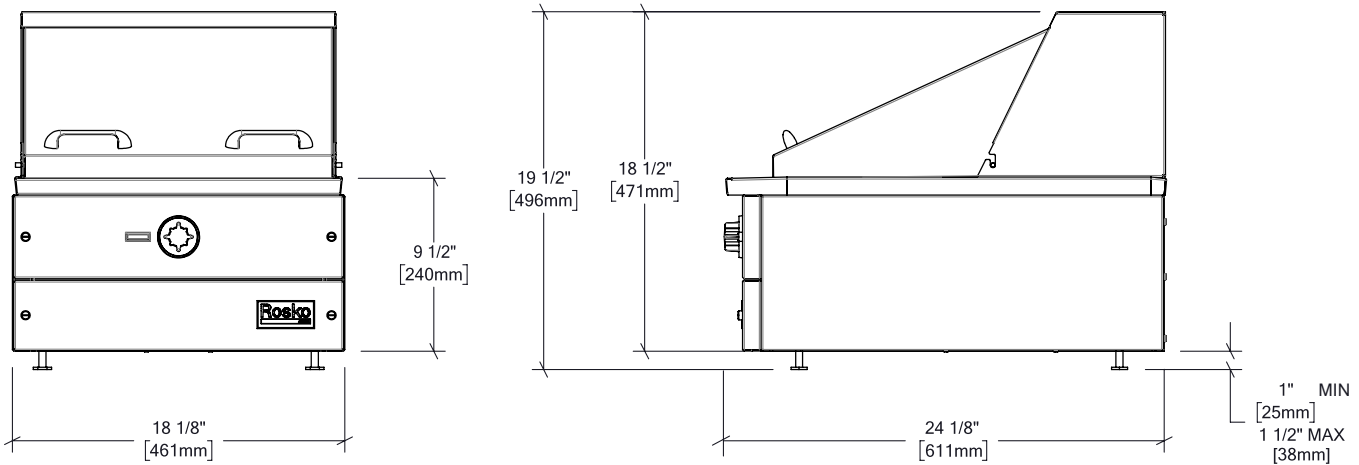
- RO-ACC-4LEG - Set of 4" (102 mm) Adjustable Legs



955, rue Lachance  
Québec, QC G1P 2H3  
Canada

1 800 461-3377  
roskoequipment.ca

*Due to the continuous development of the product,  
specifications are subject to change without notice*



Model	Width	Depth	Total height	Capacity	Weight	Packaging dimensions (W x D x H)
RO-HDSCE-18-1	18" - 457 mm	24" - 610 mm	19 1/2" - 495 mm	66 lb - 30 L	76 lb - 34 kg	20 x 30 x 27" 508 x 762 x 686 mm
RO-HDSCE-18-2						

Model	Total output	Number of controls/elements	Voltage	Amperage 1 phase
RO-HDSCE-18-1	2 000 W	1	208 V	9,50 A
RO-HDSCE-18-2			240 V	8,30 A