

Rosko

RO-ES

Equipment Stand

RO-ES-2424

RO-ES-3630

RO-ES-2430

RO-ES-4830



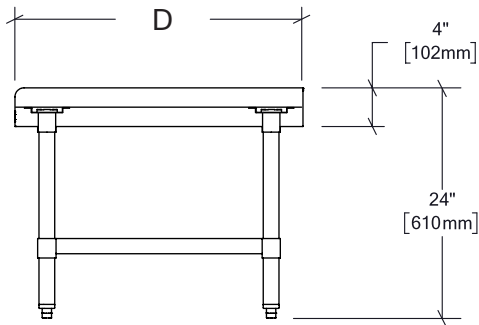
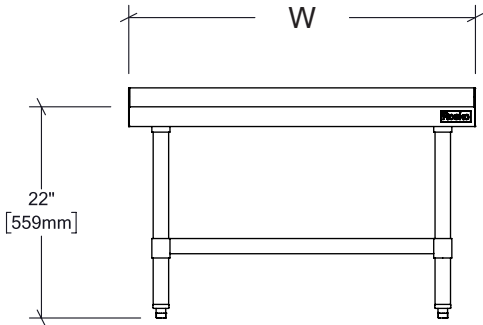
RO-ES-4830

Features

- Made of grade 430 stainless steel - 18 gauge
- 2" (51 mm) edges on three sides
- Longitudinal reinforcements under the top shelf
- Adjustable stainless steel bottom shelf
- Stainless steel legs
- Adjustable stainless steel feet
- Quick and easy to assemble
- One (1) year limited warranty on parts and labor
- Certified to NSF/ANSI 2 standards



Model	Width (W)	Depth (D)	Total height	Weight	Packaging dimensions (W x D x H)
RO-ES-2424	24" - 610 mm	24" - 610 mm	24" - 610 mm	33 lb - 15 kg	26 x 26 x 5" 660 x 660 x 127 mm
RO-ES-2430		30" - 762 mm		38 lb - 17 kg	26 x 32 x 5" 660 x 813 x 127 mm
RO-ES-3630	36" - 914 mm			50 lb - 23 kg	38 x 32 x 5" 965 x 813 x 127 mm
RO-ES-4830	48" - 1219 mm			62 lb - 28 kg	51 x 32 x 5" 1295 x 813 x 127 mm



955 Lachance Street
 Québec, QC G1P 2H3
 Canada

1 800 461-3377
 roskequipment.ca

Due to the continuous development of the product, specifications are subject to change without notice.