

Rosko

RO-RFG

Gas floor range

RO-RFG-36



RO-RFG-36

You could also like our Gas Countertop Ranges
RO-RCG



Option

RO-ACC-RFG-4W – Set of 4 Wheels for Floor Range

Construction

- Made of grade 430 stainless steel
- Cast iron open burners on top
- Black porcelain oven interior
- Rear splash guard
- 6" (152 mm) adjustable stainless-steel legs
- Four (4) positions removable oven rack

Operation

- Offering a propane or natural gas power supply :
 - Factory assembled for a natural gas installation, including a pressure regulator
 - Propane conversion kit included
 - Power conversion must be completed by a certified technician
- Thermostatic safety valve
- Top power output of 96 000 BTU/H
- Oven power output of 32 000 BTU/H
- Top adjustable temperature by independent infinity controls
- Oven thermostatic control of temperature from 200 °F to 500 °F (93 °C to 260 °C)
- 3/4" (19 mm) NPT gas connector

Legal

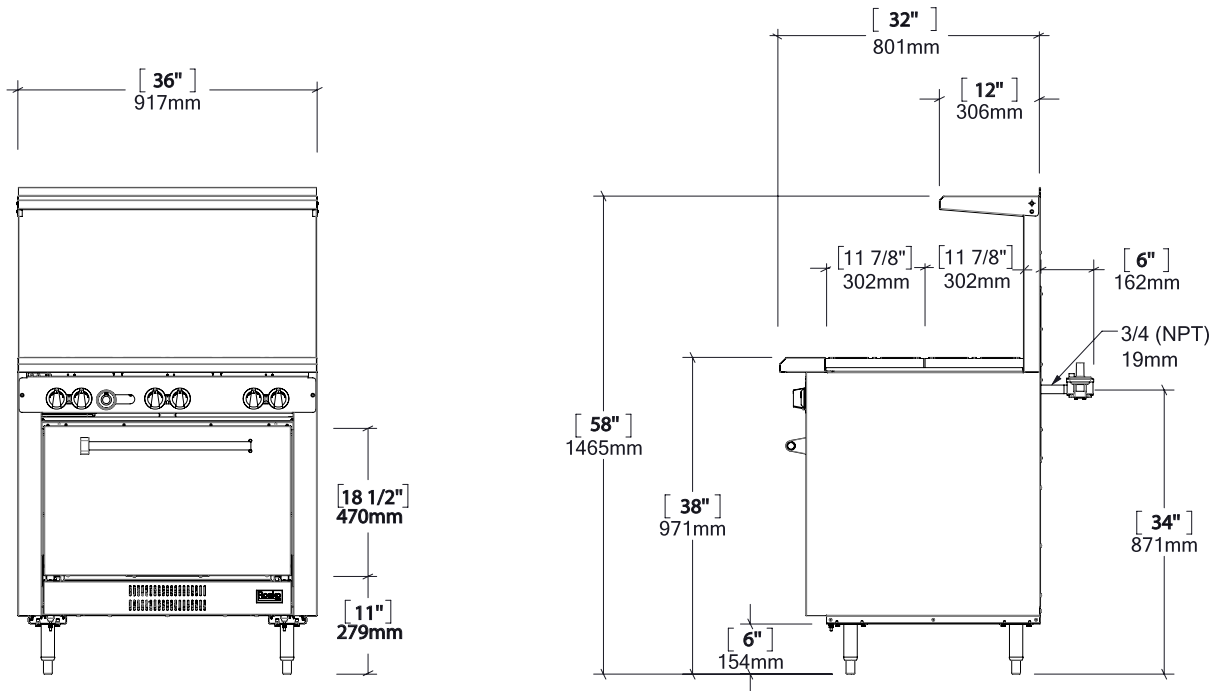
- All models require a 9" (229 mm) clearance on both sides and a 6" (152 mm) clearance behind the unit if next to combustible material
- All models require commercial installation and are not intended for residential use
- One (1) year limited warranty on parts and labor
- Certified to CSA 1.8-2016 Ed.4/ANSI Z83.11-2016 Ed.4 standards



955, rue Lachance
Québec, QC G1P 2H3
Canada

1 800 461-3377
roskoequipment.ca

*Due to the continuous development of the product,
specifications are subject to change without notice*



Models	Width	Depth	Total height	Weight	Shipping dimensions (W x D x H)		
RO-RFG-36	36" - 914 mm	32" - 813 mm	58" - 1473 mm	422 lb - 191 kg	38 x 38 x 64" 965 x 965 x 1626 mm		
Models	Total output	Number of controls / burners (Top)	Number of controls / burners (Oven)	Natural gas operating pressure	Propane gas operating pressure	Cooking surface	Oven dimensions (W x D x H)
RO-RFG-36	128 000 BTU/H	6	1	7 po W.C.	11 po W.C.	36 x 23 3/4" 914 x 603 mm	26 x 22 x 15" 660 x 559 x 381 mm