

# RUC27-HC



## Undercounter Refrigerator

SPECIFICATION

Cabinet Color (exterior/interior)	Stainless Steel / white
Gross Capacity (cubic feet)	5.55
Gross Capacity (liters)	157
Factory Setpoint Temperature °F	36
Factory Setpoint Temperature °C	2.2
Height (inches / cm)	29.25" (With Legs) / 32.688"(With Casters)
Width (inches / cm)	27.125 / 68.58
Depth (inches / cm)	27.125 / 68.58
Flat Shelf (W x D) inches	22.500" x 17.000"
LED Lighting	N/A
Adjustable Shelves	Yes
Door Style	Hinged Reversible
Volts / Hz / Phase	120 / 60 / 1
Amps	2.9
H.P. ( kW )	0.167 (0.127)
Refrigerant	R290
Shipping Weight (lbs)	143
Shipping Weight (kg)	64.86
NEMA Configuration (Power Cord)	5-15P
No. of Coolers / 40 ft Container	-
No. of Coolers / 53 ft Trailer	-



Energy Efficiency  
Certified



Eco Friendly  
Refrigerant



Hazard & Food  
Safety Certified

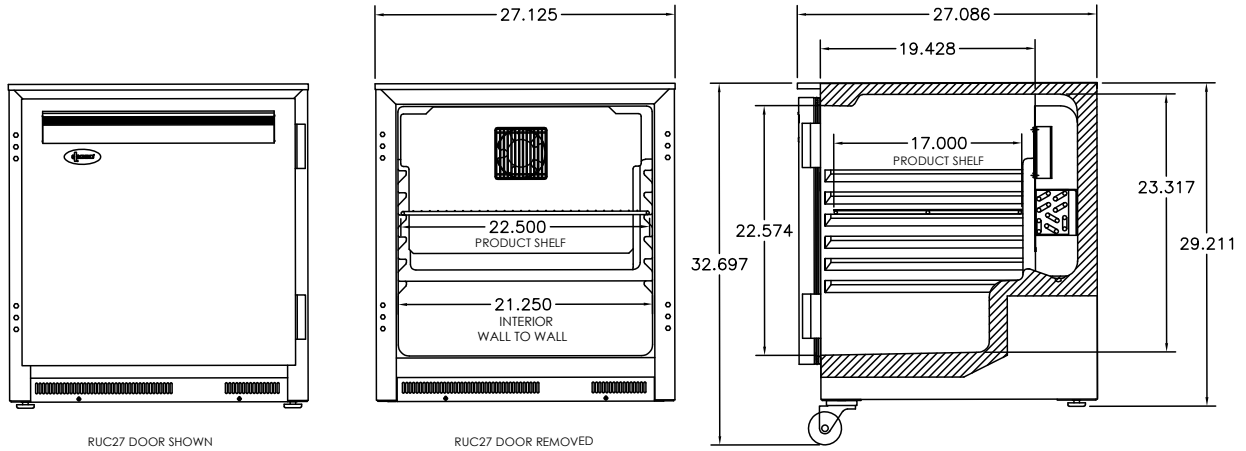
CERTIFICATION



# RUC27-HC



## PRODUCT DIMENSIONS



## NOTE

- All specifications are subject to change without notice.
- All units are designed to operate under normal storage conditions of 86°F (30°C) with 55% relative humidity MAX, and maintain temperature between 35°F and 40°F.
- THE QBD WARRANTY DOES NOT INCLUDE LOSS OF PRODUCT OR CONSEQUENTIAL DAMAGE, WHATEVER THE CAUSE. Please consult the detailed warranty statement before purchase.
- QBD refrigerated display cases are designed to maintain the temperature of pre-cooled products. Pre-chilled products must be at 40 degrees F or less before being placed in the display case. Products that are not pre-chilled to 40 degrees F or less will have a negative effect on the temperature of the display case.

## ACCESSORIES



Casters