



FOOD EQUIPMENT

SERVING THE FOOD INDUSTRY SINCE 1951

13" WOK RANGE

Items: 47685 | Model: CE-CN-WOK LP



PREPARE YOUR STIR FRY DISHES WITH OMCAN'S 13" WOK RANGE!

Ideal for making wok dishes such as: stir fry dishes, sauteed vegetables, and much more. The compact size saves on space in your kitchen.



WARRANTY
PARTS AND LABOR



Authorized Dealer

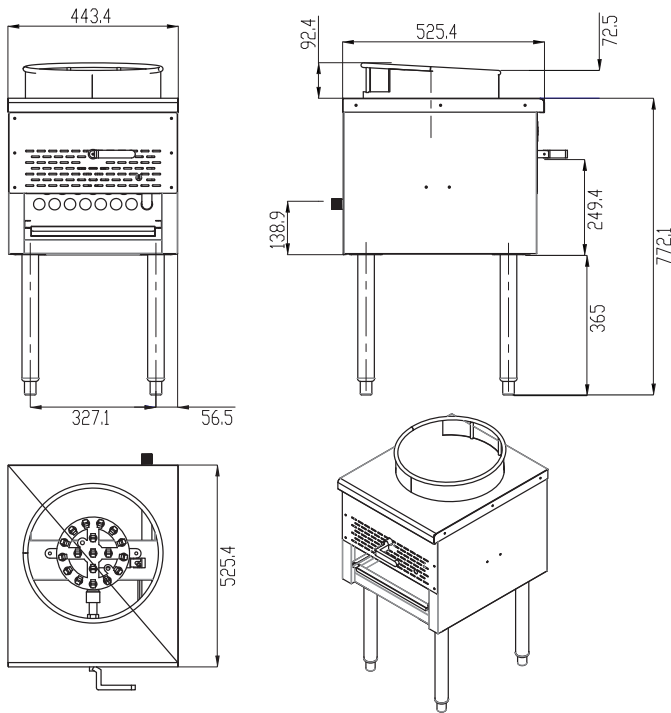
FOOD EQUIPMENT

13" WOK RANGE



TECHNICAL DRAWINGS & DIMENSIONS

*measurements in diagrams are in mm



TECHNICAL SPECIFICATIONS

Item	47685
Model	CE-CN-WOK LP
Number Of Burners	1
BTU	95,000
Pre-Heat Time	5 minutes
Gas Type	Propane Gas
Cooking Area	13" diameter
Net Dimensions	17.5" x 24.1" x 34" / 443 x 613 x 865 mm
Gross Dimensions	18.1" x 22.8" x 21" / 460 x 580 x 535 mm
Net Weight	62 lbs. / 28 kg
Gross Weight	77 lbs. / 35 kg
Conversion Kit Included	No

FEATURES:

- Stainless steel front and cabinet base
- Jet burner with an adjustable gas valve
- Pilot ignition
- 13" wok ring, making stir-frying quick and easy
- Propane gas, 3/4" rear gas connection
- 5 minute pre-heat time



WARRANTY
PARTS AND LABOR



OMCAN INC.

Telephone: 1-800-465-0234
 Fax: (905) 607-0234
 Email: sales@omcan.com
 Website: www.omcan.com



Follow us to keep up to date with the latest news and offers



2017E&OE