

# NUR-072-SS

## STAINLESS STEEL UNDERCOUNTER REFRIGERATOR

Ideal for commercial kitchens, restaurants & cafeterias

# NEW AIR



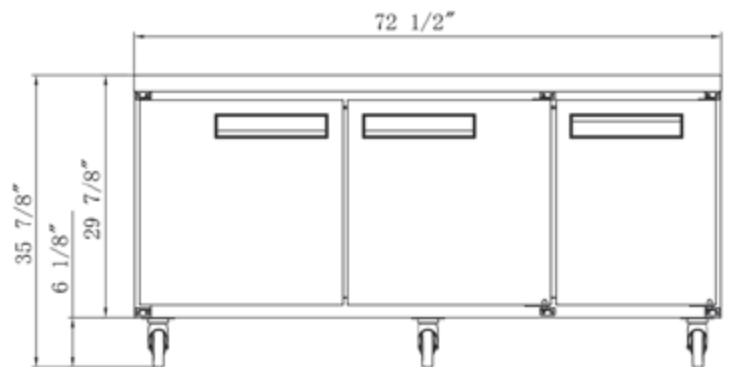
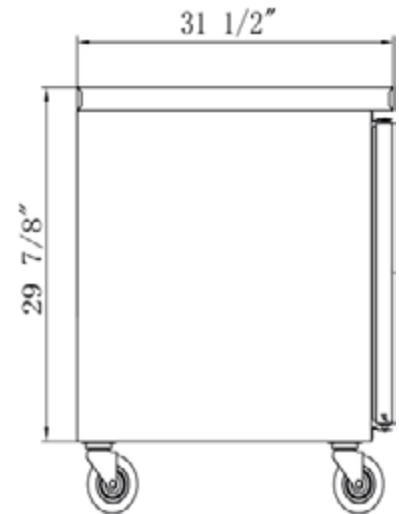
## FEATURES

- Dixell™ digital temperature control
- Stainless steel interior and exterior
- Adjustable epoxy-coated wire shelving
- Self-closing doors with stay open feature
- Back mounted compressor
- Heavy duty casters



## SPECIFICATIONS

Capacity (Cu. ft)	18.96
Capacity (Liters)	537 L
Exterior Dimensions (in)	72 1/2" x 31 1/2" x 35 5/8"
Interior Dimensions (in)	68" x 27" x 25"
Net Weight (kg/lbs)	110 kg / 242 lbs
Door(s)	3
Temperature Range (°C)	0 TO 5°C
Ambiant Temperature	25°C
Ambiant Humidity	55%
Refrigerant (CFC-Free)	R290
Amperage (A)	3.4 A
Voltage (V)	115V / 60Hz
Plug Type	NEMA 5-15P



# NEW AIR

\*Design and specifications may change without prior notice for product improvement

CUSTOMER SUPPORT



1-800-567-3620



NEWAIRREFRIGERATION.CA



2025