

# NPT-044-PI

## REFRIGERATED PIZZA PREP TABLE

Ideal for restaurants, cafeterias & food processing spaces

**NEW AIR**



## FEATURES

Stainless steel interior and exterior

Front digital controller

High quality condenser with higher dust resistance

Self-closing doors with stay open feature

Adjustable heavy duty shelves

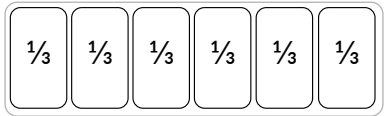
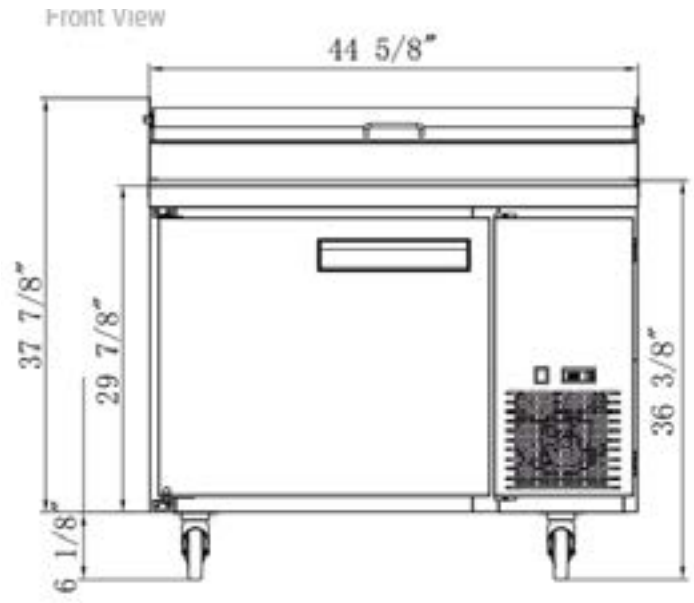
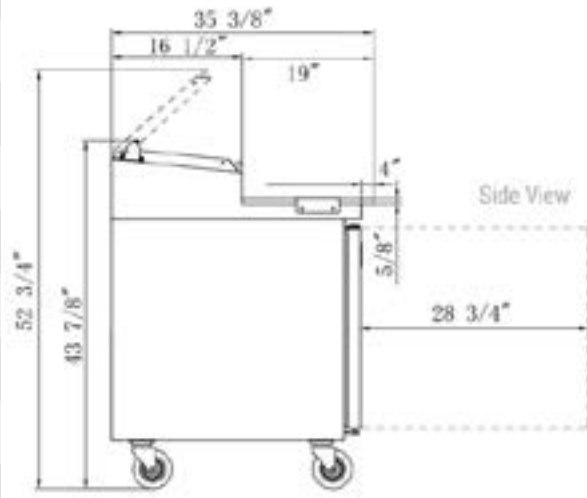
Clear plastic 1/3 pans included

19" deep cutting board



# SPECIFICATIONS

Capacity (Cu. ft)	17.58
Capacity (Liters)	497.81 L
Exterior Dimensions (in)	44 5/8" × 35 3/8" × 43 7/8"
Interior Dimensions (in)	27" × 25" × 23"
Net Weight (kg/lbs)	101.6 kg / 224 lbs
Door(s)	1
Temperature Range (°C)	0.5 TO 5°C
Ambiant Temperature	25°C
Ambiant Humidity	55%
Refrigerant (CFC-Free)	R290
Amperage (A)	2.2 A
Voltage (V)	115V / 60Hz
Plug Type	NEMA 5-15P



6 x 1/3 Pans



\*Design and specifications may change without prior notice for product improvement

CUSTOMER SUPPORT



1-800-567-3620



NEWAIRREFRIGERATION.CA

