

NIF-56-CG



CURVED GLASS ICE CREAM FREEZER

Ideal for restaurants, convenience stores, supermarkets & cafeterias



FEATURES

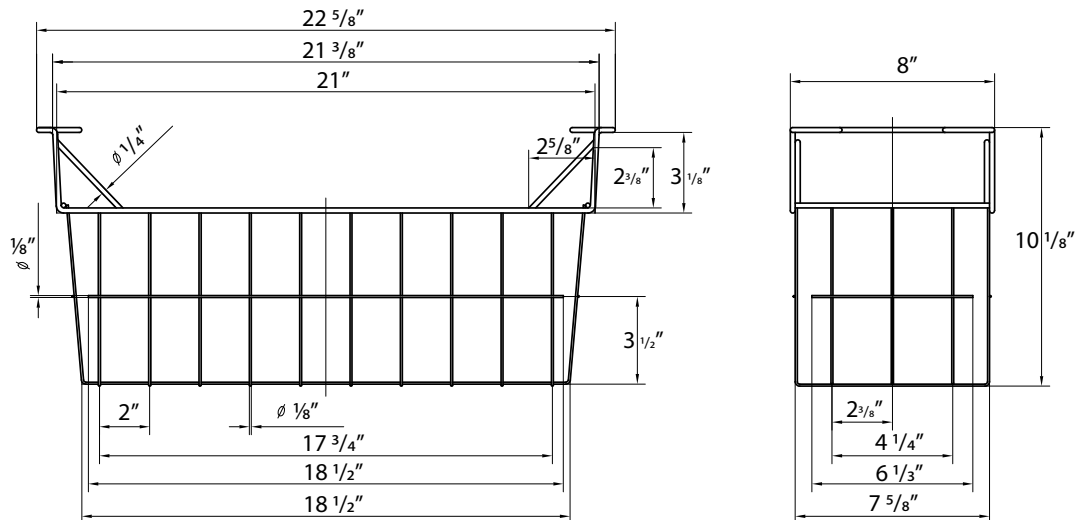
Side temperature display
& adjustable thermostat

Aluminum interior

Sliding curved glass door

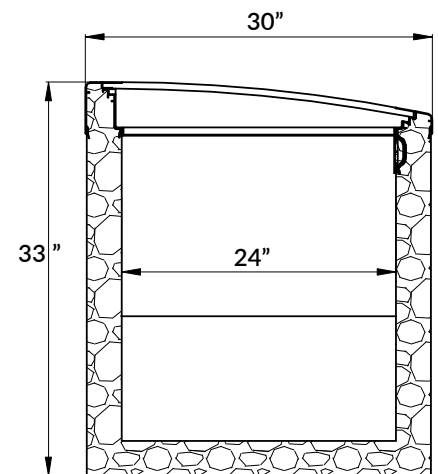
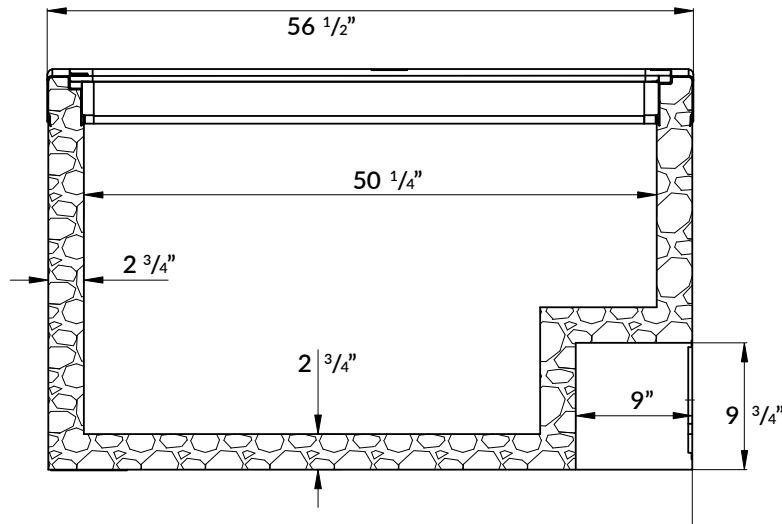
Four casters (2 swivel)

Wire baskets included



SPECIFICATIONS

Capacity (Cu. ft)	11.5
Capacity (Liters)	316
Exterior Dimensions (in)	56 1/2" x 30" x 33 1/4"
Interior Dimensions (in)	50 1/4" x 24" x 23"
Nbr of wire baskets	4
Basket size	12 x 23" x 6 1/2"
Door(s)	Sliding (top)
Temp. Range	-18 TO -22°C
Ambiant Temperature	≤ 30°C
Ambiant Humidity	≤ 55%
Refrigerant (CFC-Free)	R290
Amperage (A)	2.4A
Voltage (V)	115V/60Hz
Plug Type	NEMA 5-15P



*Design and specifications may change without prior notice for product improvement

CUSTOMER SUPPORT



1-800-567-3620



NEWAIRREFRIGERATION.CA

