

RV1
NIF-50-DC



**FLAT GLASS ICE CREAM FREEZER
WITH SNEEZE GUARD CANOPY**

Ideal for restaurants, convenience stores, supermarkets & cafeterias



FEATURES

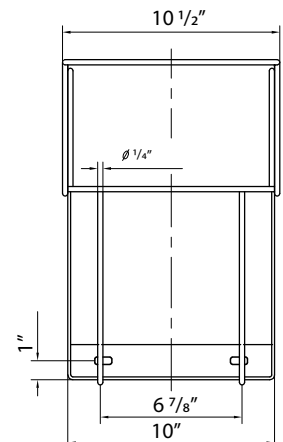
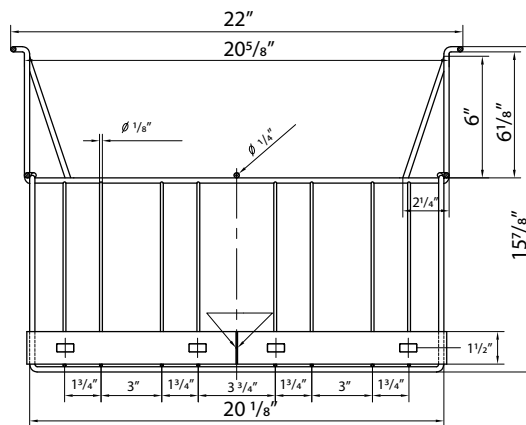
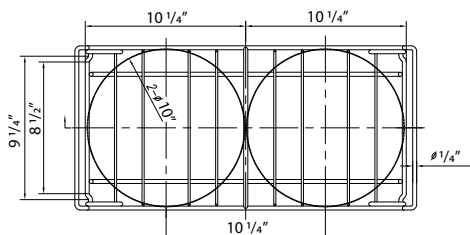
Front temperature display
& adjustable thermostat

Aluminum interior

Sliding flat glass doors

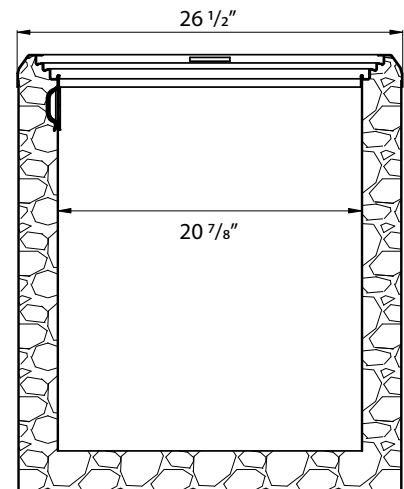
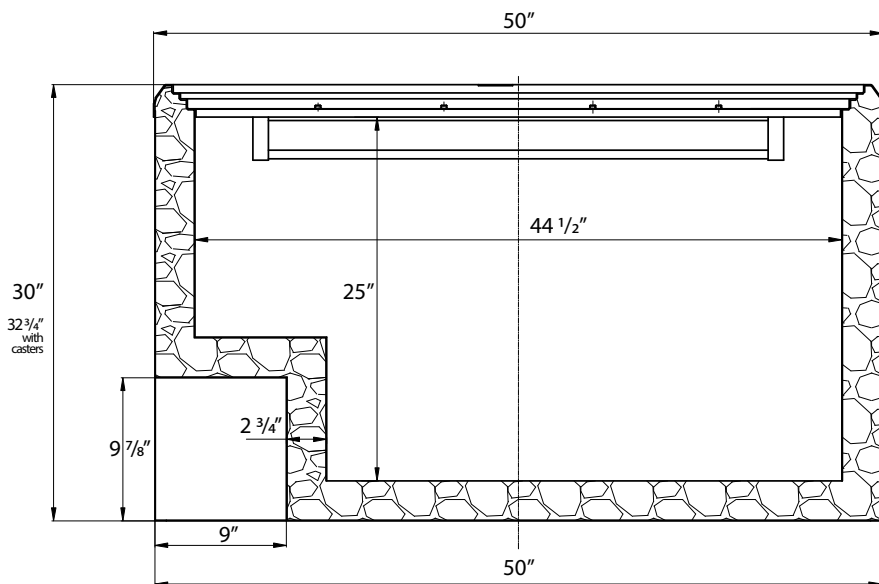
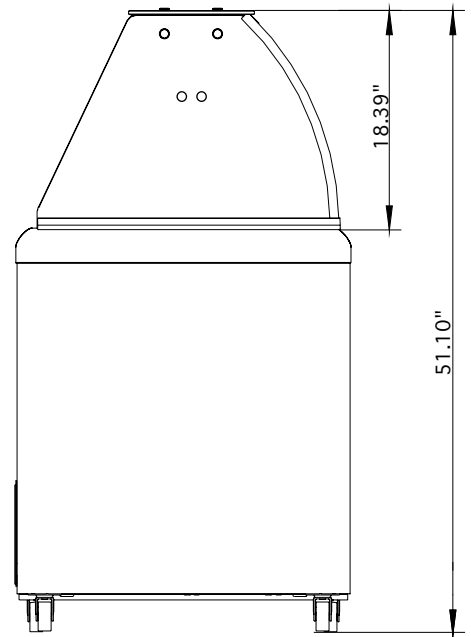
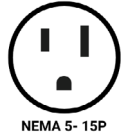
Four casters (2 swivel)

Wire ice cream tub baskets included



SPECIFICATIONS

Capacity (Cu. ft)	12.9
Capacity (Liters)	365L
Exterior Dimensions (in)	50" × 26 1/2" × 51 1/8"
Interior Dimensions (in)	44 1/2" × 20 7/8" × 25"
Nbr of wire baskets	4
Basket size	10" × 20" × 9 1/2"
Door(s)	Sliding (top)
Temp. Range	-18 TO -22°C
Ambiant Temperature	≤ 30°C
Ambiant Humidity	≤ 55%
Refrigerant (CFC-Free)	R290
Amperage (A)	2.3A
Voltage (V)	115V/60Hz
Plug Type	NEMA 5-15P



*Design and specifications may change without prior notice for product improvement

CUSTOMER SUPPORT



1-800-567-3620



NEWAIRREFRIGERATION.CA

