

RV1
NIF-35-CG

NEW AIR

CURVED GLASS ICE CREAM FREEZER

Ideal for restaurants, convenience stores, supermarkets & cafeterias



FEATURES

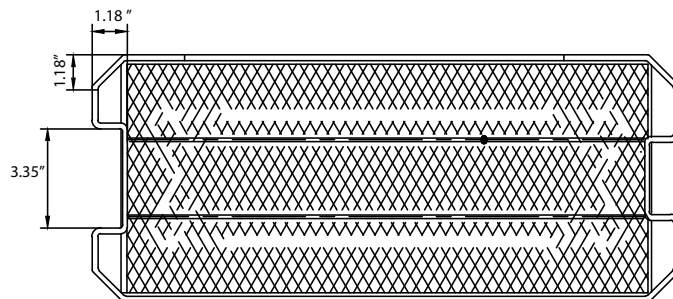
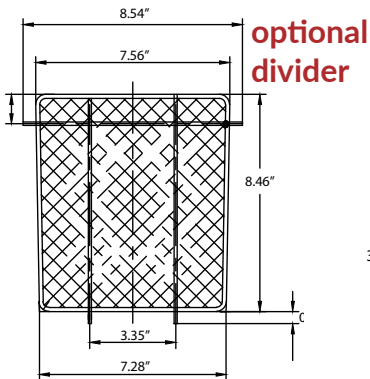
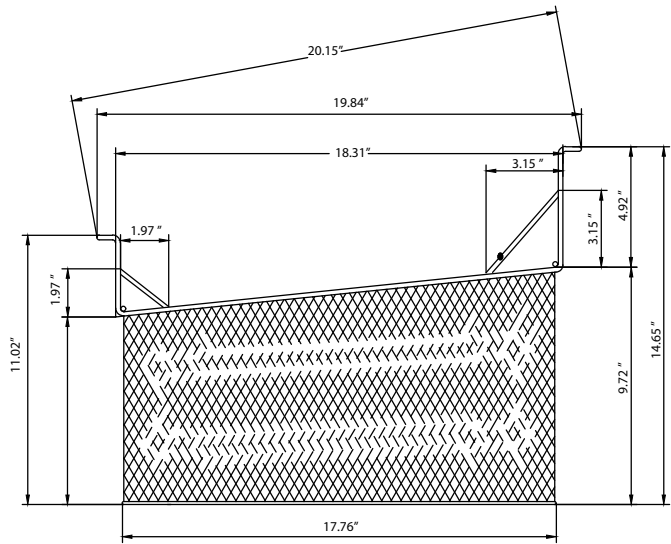
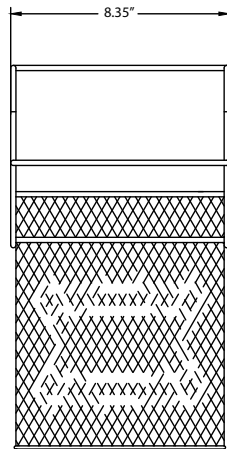
Side temperature display
& adjustable thermostat

Aluminum interior

Sliding curved glass door

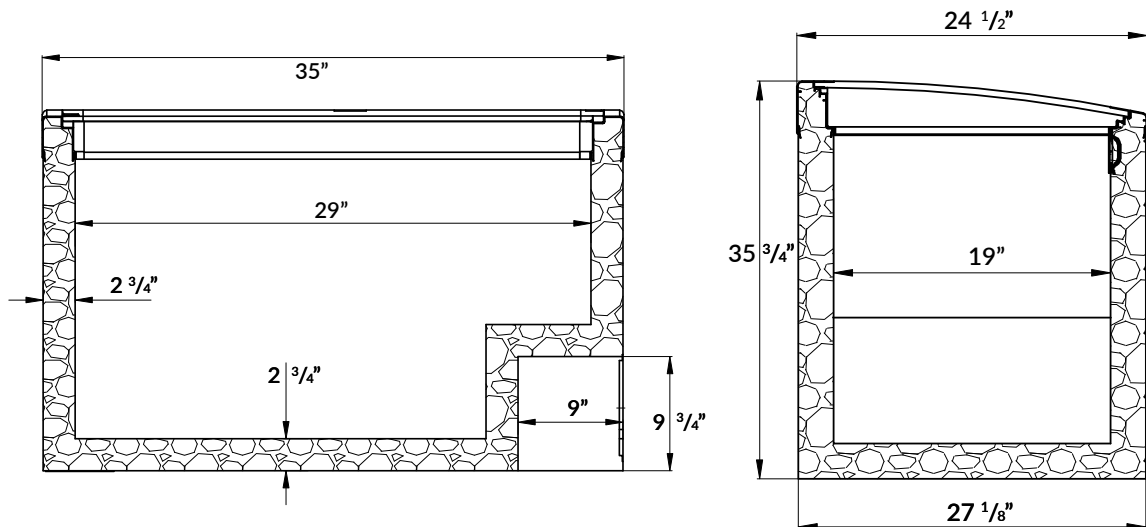
Four casters (2 swivel)

Wire baskets included



SPECIFICATIONS

Capacity (Cu. ft)	7.3
Capacity (Liters)	208
Exterior Dimensions (in)	35" × 24 1/2" × 35 3/4"
Interior Dimensions (in)	29" × 19" × 25 1/2"
Nbr of wire baskets	3
Basket size	20 ^{3/8} " × 13 ^{3/4} " × 10"
Door(s)	Sliding (top)
Temp. Range	-18 TO -22°C
Ambiant Temperature	≤ 30°C
Ambiant Humidity	≤ 55%
Refrigerant (CFC-Free)	R290
Amperage (A)	2.5A
Voltage (V)	115V/60Hz
Plug Type	NEMA 5-15P



*Design and specifications may change without prior notice for product improvement

CUSTOMER SUPPORT



1-800-567-3620



NEWAIRREFRIGERATION.CA

