

NCGD-46-S

COUNTERTOP GELATO DISPLAY

Ideal for ice cream shops, restaurants and cafés

NEW AIR



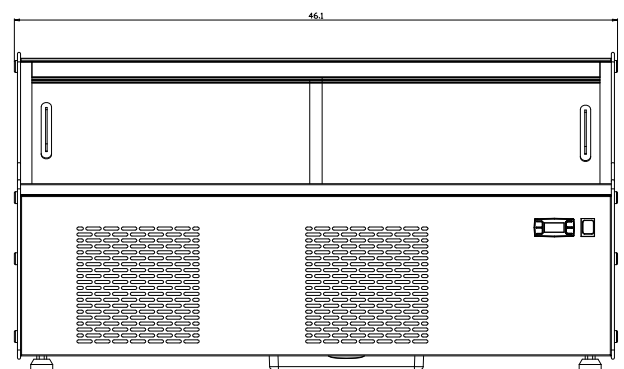
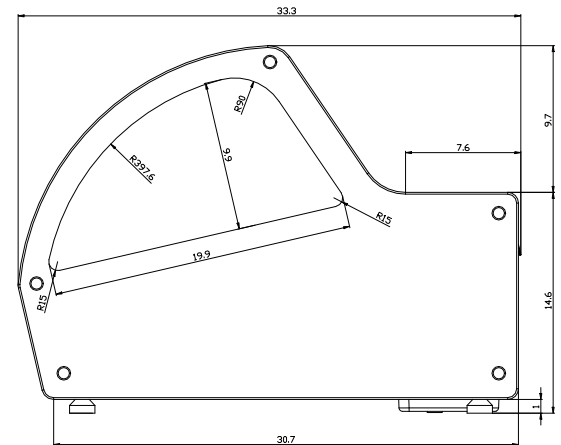
FEATURES

- 6 x 1/3 gastronorm pans included
- Double-tempered glass with heater to prevent fogging
- Ventilated cooling system & automatic defrost
- Sliding doors at the back
- Digital temperature controller with LED display
- Brilliant cool-toned LED at top of unit
- 4 adjustable feet
- High-performance condenser with automatic water evaporation



SPECIFICATIONS

Capacity (Cu. ft)	3.17
Capacity (Liters)	15 L (6 x 1/3 gastronorm pans)
Exterior Dimensions (in)	67.7" x 43.1" x 53.1"
Package Dimensions (in)	70.4" x 45.8" x 59"
Shelf	6 pans
Door(s)	Sliding at the back
Temperature Range (°C)	-22°C TO -12°C
Ambiant Temperature	≤ 30°C
Ambiant Humidity	≤ 55%
Refrigerant (CFC-Free)	R290
Voltage (V)	110 - 120 V / 60Hz
Plug Type	NEMA 5-15P
Pan Size	2.5L 12.8" x 6.9" x 2.5"



NEW AIR

*Design and specifications may change without prior notice for product improvement

CUSTOMER SUPPORT



1-800-567-3620

NEWAIRREFRIGERATION.CA

