


# NBD-69-SB

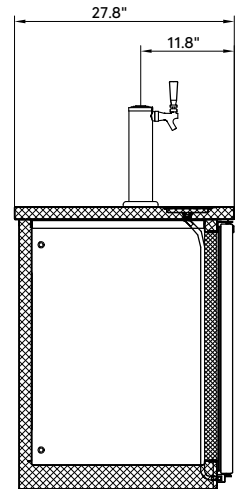
## BEER DISPENSER

# NEW AIR



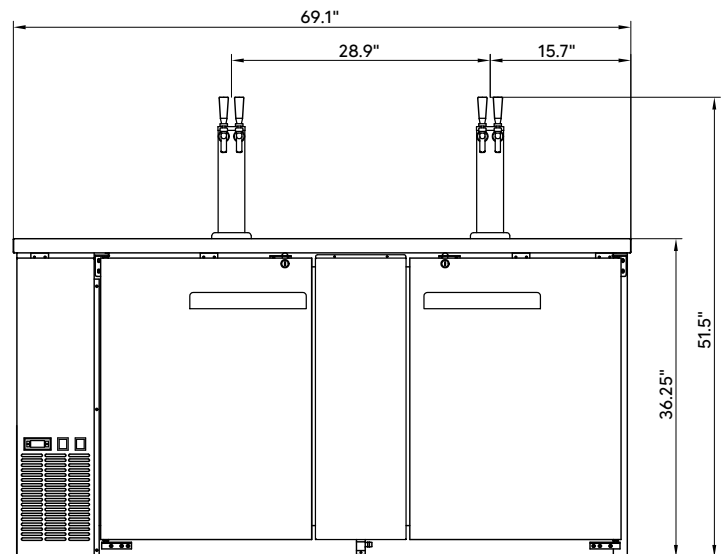
### FEATURES

- Talos™ Beer Tower kit with Faucets 
- Mounted on wheels
- Removable drip tray
- Stainless steel top with safety bar
- Interior LED lighting
- Carel™ digital temperature controller
- Two keg couplers
- Self-closing doors with locks
- 2shelves included



### SPECIFICATIONS

Capacity (Cu. ft)	23.3
Capacity (L)	659
Exterior Dimensions (in)	69" x 27 3/4" x 36 1/4"
Interior Dimensions (in)	56 1/2" x 22" x 30 1/2"
Shelf Dimensions (in)	27 3/4" x 21 1/2"
Net/Gross weight (lbs)	326/367
Keg Capacity	3 x 1/2 kegs
Temp. Range	0 TO 5°C
Refrigerant (CFC-Free)	R290
Amperage (A)	4.7
Voltage (V)	115V/60Hz
Plug Type	NEMA 5-15P



NEWAIRREFRIGERATION.CA 2025

# NEW AIR

CUSTOMER SUPPORT



1-800-567-3620



NEWAIRREFRIGERATION.CA



\*Design and specifications may change without prior notice for product improvement