


NBD-23-SB

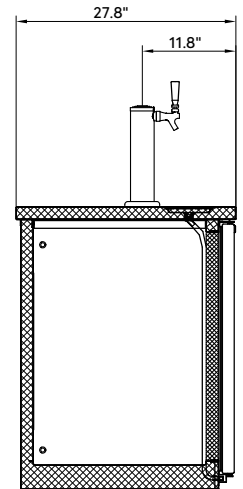
BEER DISPENSER

NEW AIR



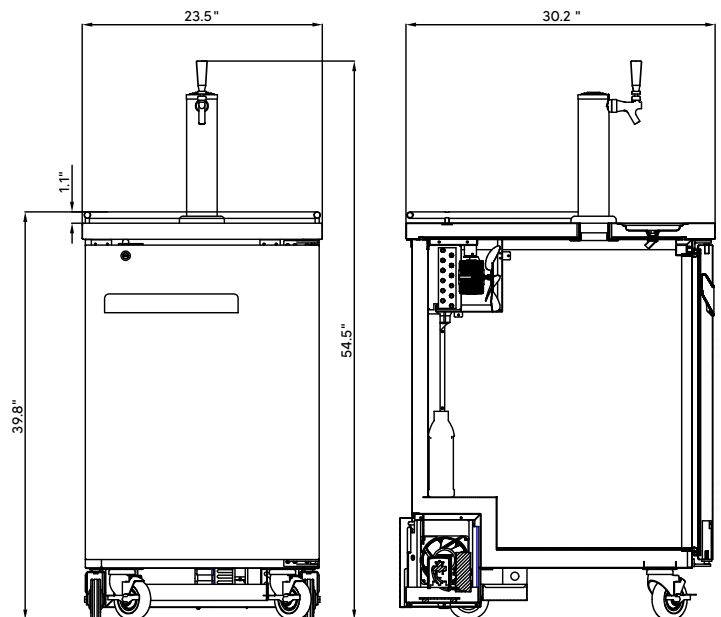
FEATURES

- Talos™ Beer Tower kit with Faucets 
- Mounted on wheels
- Removable drip tray
- Stainless steel top with safety bar
- Interior LED lighting
- Carel™ digital temperature controller
- Two keg couplers
- Self-closing doors with locks



SPECIFICATIONS

Capacity (Cu. ft)	6.5
Capacity (L)	184
Exterior Dimensions (in)	23 1/2" x 30 3/4" x 39 3/4"
Interior Dimensions (in)	19 1/2" x 26" x 29"
Shelf Dimensions (in)	N/A
Net/Gross weight (lbs)	154/176
Keg Capacity	1 x 1/2 keg
Temp. Range	0 to 5°C
Refrigerant (CFC-Free)	R290
Amperage (A)	4.7
Voltage (V)	115V/60Hz
Plug Type	NEMA 5-15P



NEWAIRREFRIGERATION.CA 2025

NEW AIR

CUSTOMER SUPPORT



1-800-567-3620



NEWAIRREFRIGERATION.CA



*Design and specifications may change without prior notice for product improvement