



The clean solution



# TopClean D

LOW TEMPERATURE SCBA AND PPE MULTI-WASHER

## Special Features:

- Auto Safe temperature control system** - Guarantees 120°F (49°C) final rinse temperature, regardless of incoming water temperature
- MIKE 2 electronic control system**- advanced micro-computer technology for service diagnostics and end-user machine settings. Includes one-touch operation, one-touch selection of three different cycle lengths, automatic temperature monitoring with digital display, and advanced service diagnostics
- Active Plus filtration system**- Double filtration of wash water removes soil, improves washing efficiency and saves detergent while easing cleaning chores
- Soft Start wash pump**- Protects fragile ware from chipping or breaking
- Leak Detection**- Automatically stops machine operation and turns off the water fill if internal leaking is detected
- Built-in booster heater with power rinse pump**- Guarantees constant final rinse pressure and temperature for consistent, outstanding results

## Standard Features:

- Capacity 20 cycles per hour
- Water consumption 2.37 gallons (8.97 liters) per cycle
- Oscillating wash arms for complete ware coverage
- Double-wall construction keeps heat inside the machine, reducing energy consumption and heat loss into the dishroom environment
- Variable programmed time cycles - 180, 300 and 480 seconds
- Pumped drain for both floor and wall drain applications
- Machine shutdown activates an automatic rinse of the wash chamber to ease cleaning
- Stainless steel non-clogging wash and rinse arms
- Sloping wash tank directs soil into large, easily removed pan strainers
- Front mounted controls with digital temperature displays
- 3-1/2 Hp (2.6 kW) wash pump
- 304 and 316L stainless steel construction for corrosion resistance
- Type A air gap system eliminates need for vacuum breaker
- Custom stainless steel basket with mask heads
- Built-in liquid detergent and rinse aid pumps
- External vent fan control

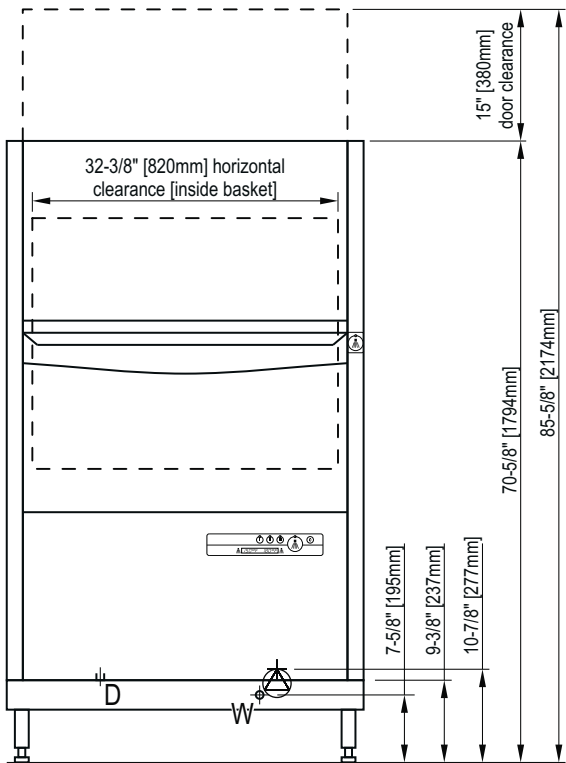
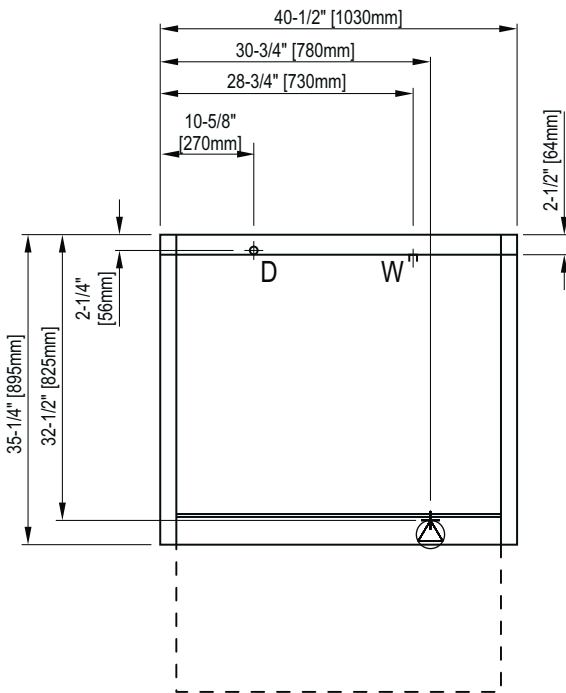
## Options:

- Flanged, bolt-down feet
- Power vent option (indirect connection). If a direct vent connection is required, contact MEIKO at [sales@meiko.us](mailto:sales@meiko.us) for assistance.
- Boot and Glove Holder Attachment

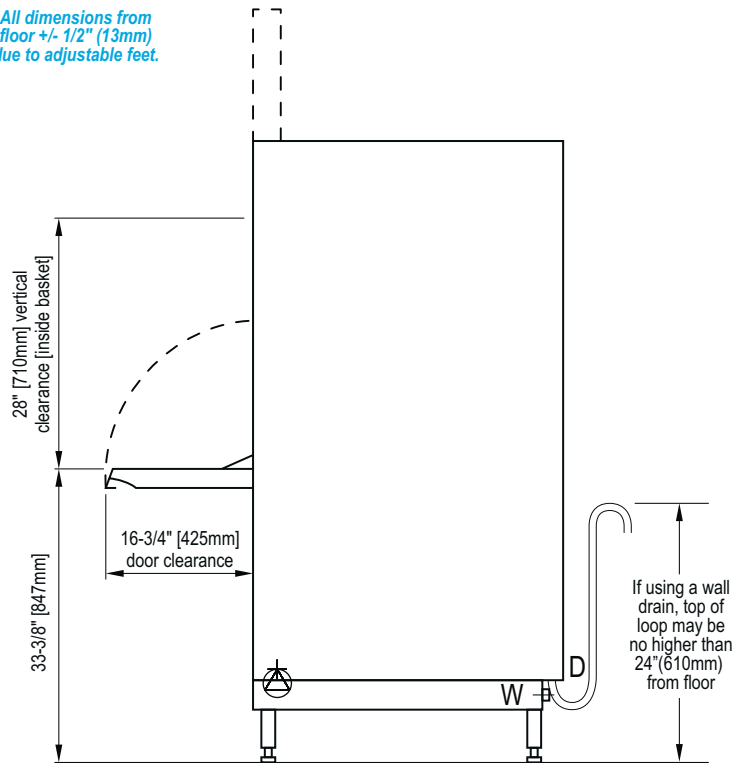
This washer is compliant with the Reduction of Lead in Drinking Water Act (2011) amendment to the Safe Drinking Water Act (SDWA).



## Dimensions - without power vent option



All dimensions from floor +/- 1/2" (13mm) due to adjustable feet.



### Electrical terminal block

Strain relief provided at lower rear of machine. Adequate slack in the wiring should be provided to allow the machine to be moved for servicing.



### Fresh water connection

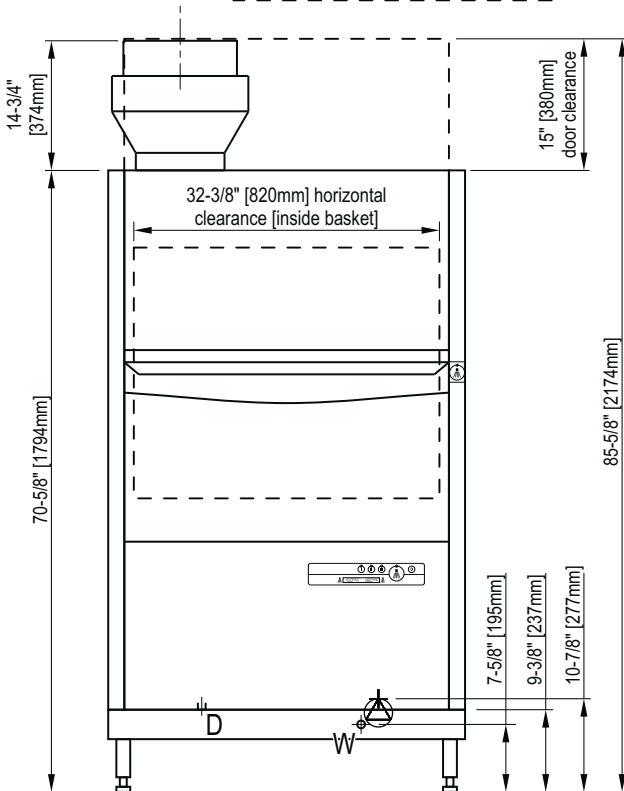
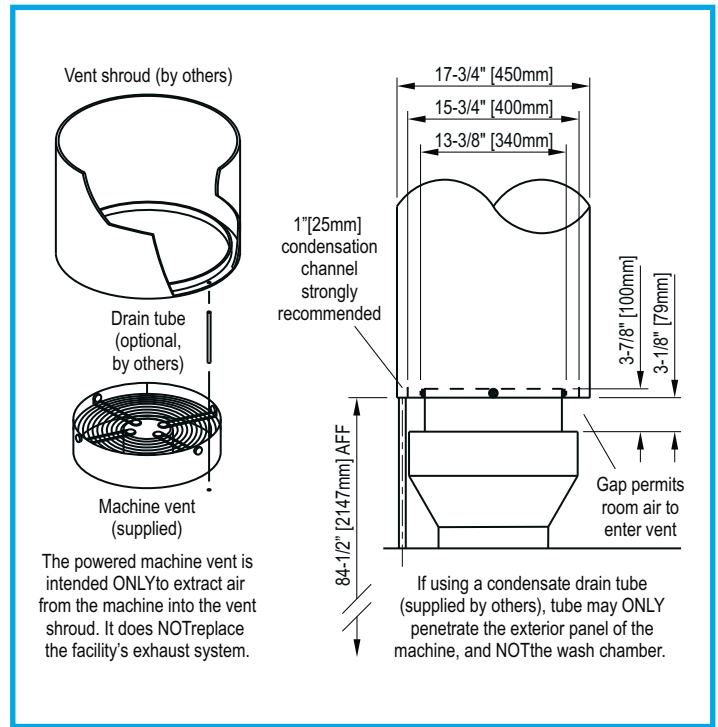
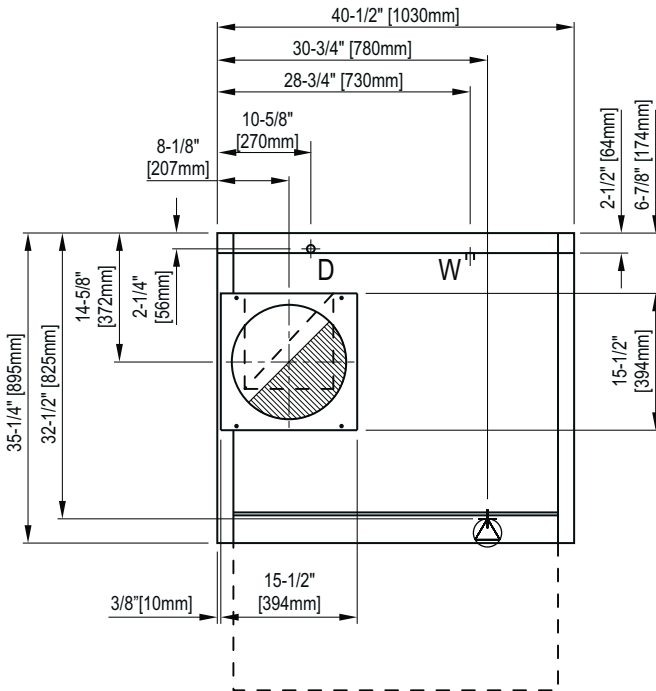
3/4" female garden hose supply connection is provided. If using supplied external Y-strainer, female garden hose adapter may be removed to provide 1/2" NPT male or 3/4" NPT female connection as required. Supplied hose is 4' 7" (2616mm) in length.



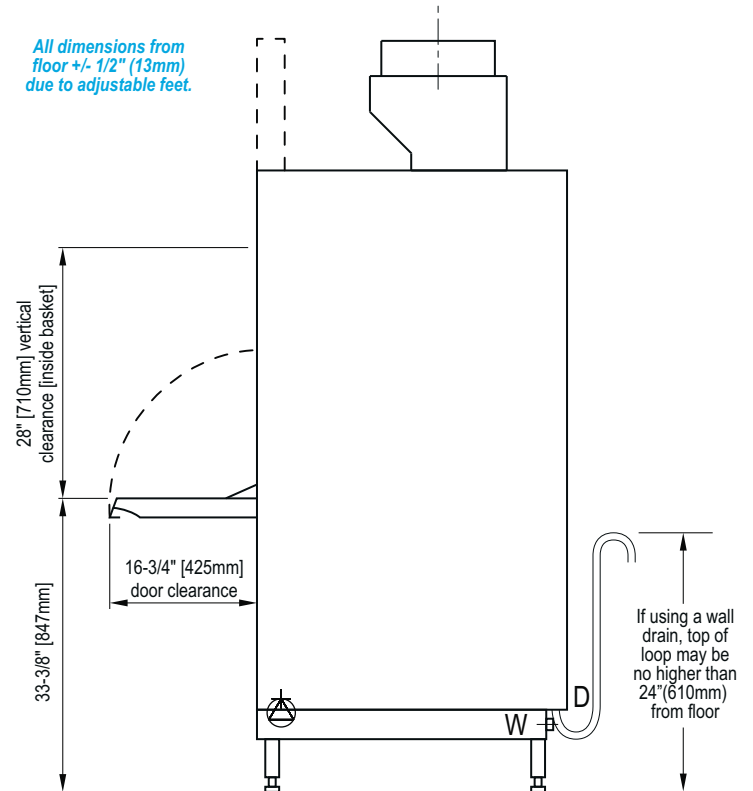
### Drain connection

Requires indirect connection to 1-1/2" (38mm) drain pipe (wall or floor). Supplied hose is 4' 7" (2616mm) long and should be cut to appropriate length at time of installation to allow machine to be repositioned for servicing.

## Dimensions - with power vent option



All dimensions from floor +/- 1/2" (13mm) due to adjustable feet.



### Vent connection (machines with powered vent option only)

The waste air connection must be corrosion-resistant and frost-free. In particular, provisions must be made to prevent air temperatures of 32°F (0°C) or colder from reaching the machine at anytime. A provision for draining moisture from the waste air pipe is strongly recommended.

**IMPORTANT:** The vent shroud **MUST NOT** be connected directly to the machine, as this prevents room air from being drawn into the shroud and may affect machine performance. If a direct vent connection is required, contact MEIKO at [sales@meiko.us](mailto:sales@meiko.us) for assistance.

Machine exhaust: 354 CFM (602m<sup>3</sup>h)

Additional room air recommended for indirect vent: 120 CFM (204m<sup>3</sup>h)

All dimensions and data shown are recommendations only. Actual exhaust connection must be adequate for the exhaust air and comply with all applicable national and local code requirements.

## Technical Specifications

### Optimum Capacity:

Cycles per hour .....20

### Optimum Cycle Time (Seconds):

Wash Cycle .....147  
 Dwell / Drain Time.....21  
 Rinse Cycle.....12  
 Total Cycle .....180

### Water Requirements:

Incoming Water Temperature (Optimum) .....120°F (49°C)  
 Recommended Water Hardness .....1-6 grains per U.S. gal.  
 Water Consumption per Cycle .....2.37 gals. (8.97 liters)  
 Water Consumption per Hour (max.)47.40 gals. (179.43 liters)  
 Flow Pressure ..... 8.7-72.5 psi (0.6-5.0 bars)  
 Incoming Waterline .....3/4" garden hose  
 Drain line size.....7/8" ID, 1-1/8" OD flexible hose  
 Maximum drain flow rate .....33 gals. (124.9 liters) per minute

### Required Operating Temperatures:

Wash (Maximum).....110-120°F[43-49°C]  
 Rinse (Maximum).....110-120°F[43-49°C]

### Tank Capacities:

Wash Tank..... 22.45 gals. (85 liters)  
 Booster Heater .....4.14 gals. (15.67 liters)

### Electrical Requirements:

Wash Tank Heat ..... 9 kW  
 Booster Heater ..... 12 kW  
 Wash Pump.....3- 1/2 HP (2.6 kW)  
 Drain Pump .....0.09 hp (0.07 kW)

Electrical supply	Peak load ampacity	Min. supply circuit ampacity	Max. breaker/disconnect
-------------------	--------------------	------------------------------	-------------------------

#### Standard machine

208-230V/ 60Hz/3Ph	64.5A @ 208V	.....90A	.....90A
	71.7A @ 230V	.....90A	.....90A
460V/60Hz/3Ph	37.0A @ 460V	.....50A	.....50A

#### Machine with powered vent option

208-230V/ 60Hz/3Ph	65.0A @ 208V	..... 90A	..... 90A
	72.2A @ 230V	..... 100A	..... 100A
460V/60Hz/3Ph	37.3A @ 460V	.....50A	.....50A

### Ventilation Requirements (machines with powered vent option only):

Machine exhaust ..... 354 CFM (602 m<sup>3</sup>/h)  
 Additional room air .....120 CFM (204 m<sup>3</sup>/h)  
 Total..... 474 CFM (806 m<sup>3</sup>/h)

### Dimensions:

Overall (W x D x H) ..... 40-1/2" x 35-1/4" x 70-5/8"  
 (1030 x 895 x 1794mm)

Ware Clearances ..... 32-3/8" x 26-1/2" x 28"  
 (inside basket, W x D x H) (820 x 670 x 710mm)

Wall Clearance..... Rear 1" (25mm) min.

### Machine / Shipping Details:

Shipping Weight .....776 lbs. (352.0 kg)  
 Shipping Size (W x D x H) .....49" x 44" x 76"  
 (1245 x 1118 x 1931mm)

This machine may not pass through standard doorways without machine disassembly or doorway modification. Check all dimensions carefully prior to ordering, or contact MEIKO at [sales@meiko.us](mailto:sales@meiko.us) for assistance.

## Specification

FV 130.2 Item Number \_\_\_\_\_

Unit will be an ETL-listed MEIKO

FV 130.2 low temperature SCBA and PPE washer.

Operating voltage will be:

\_\_\_\_\_ 208-230 V / 60 Hz / 3 Ph

\_\_\_\_\_ 460 V / 60 Hz / 3 Ph

Unit will have front mounted microcomputer controls, a 180 second total time cycle, and utilize 2.37 gallons (8.97liters) fresh rinse water per cycle. Unit will utilize a fresh water pumped rinse for constant pressure and temperature every cycle. Unit will have oscillating wash arms to ensure complete coverage of ware as well as enhanced performance. Unit will have integral wash tank soil removal system to maintain clean wash water. Unit will have built-in temperature safeguards to guarantee final rinse temperature meets maximum 120°F (49°C) requirement. Wash pump will be equipped with a soft start feature to reduce risk of chipped or broken items. Unit will incorporate features to stop operation and turn off water fill valve if an internal leak is detected. Unit will have selectable time cycles for heavier than normal soil loads.

### "Auto Safe"Feature

The FV 130.2 guarantees 120°F (49°C) final rinse temperature, regardless of incoming water temperature. This is achieved even if connected to a cold water line, by automatically extending the wash cycle (if necessary) to provide additional heating time. Listed cycle length assumes use of recommended 120°F (49°C) water supply. Exact cycle length is dependent upon the incoming water temperature and on the electrical supply voltage.

**Note: All specifications are subject to change without notice based on MEIKO's dedicated product improvement program.**

**This washer is compliant with the Reduction of Lead in Drinking Water Act (2011) amendment to the Safe Drinking Water Act (SDWA).**

