



# POWER LOADER, POWER UNLOADER

PL-LR, PL-RL, PU-LR, PU-RL

# RACK CONVEYOR WAREWASHER ACCESSORIES

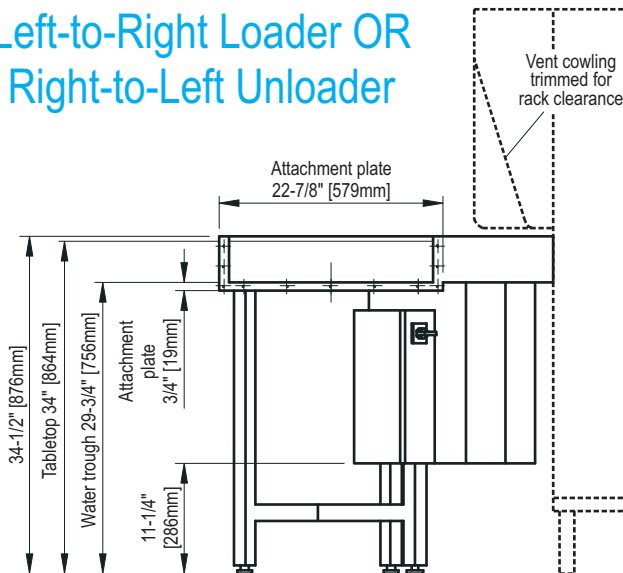
## The clean solution

MEIKO's power loader and unloader accessory provide a reliable way to make the most use of limited space in the dishroom. Racks are automatically translated through 90° and loaded into either the dishwasher (for loaders) or onto exit tabling (for unloaders). The drive system is pre-set at the factory for the correct speed settings for the dishmachine. No field adjustment is required.

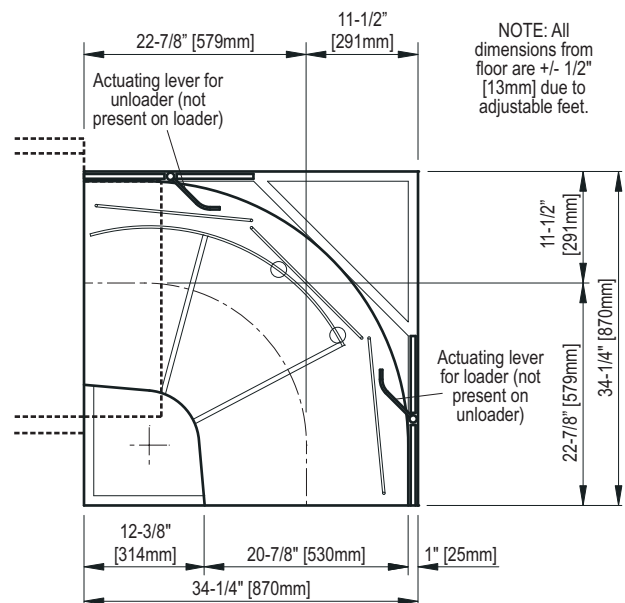
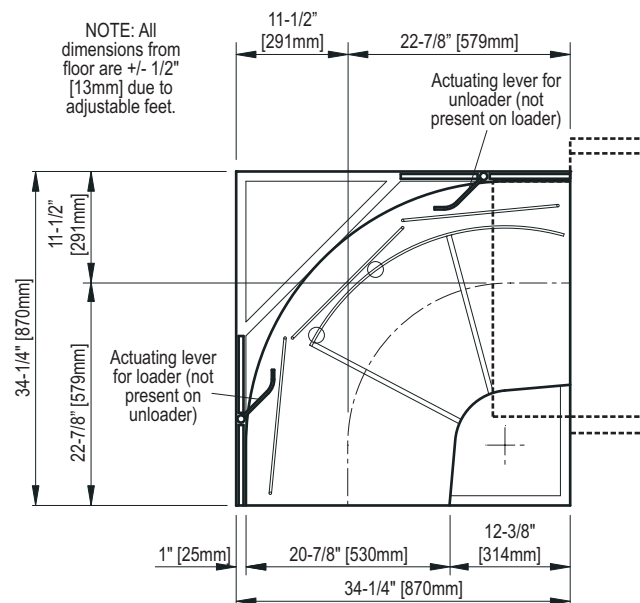
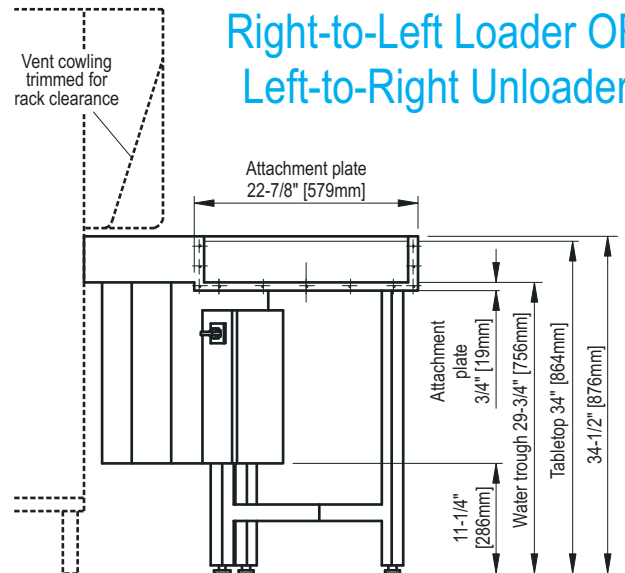
Power loaders and unloaders may be used with K-Series, K-Tronic Series and M-iQ Series dishmachines. If using a power unloader with a K-Tronic Series or M-iQ Series dishmachine, additional options may be available. Contact MEIKO at [sales@meiko.us](mailto:sales@meiko.us) for assistance.

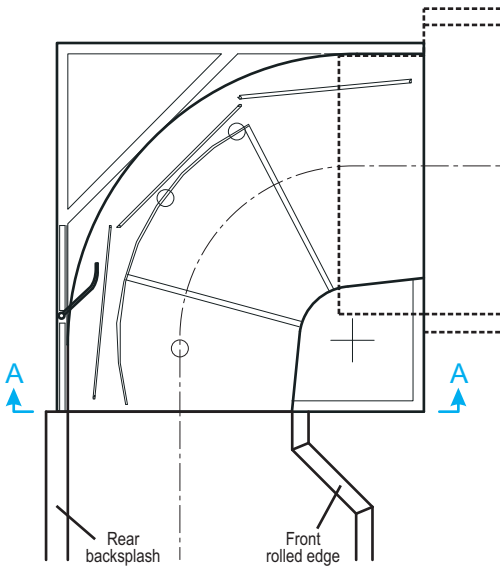


### Left-to-Right Loader OR Right-to-Left Unloader



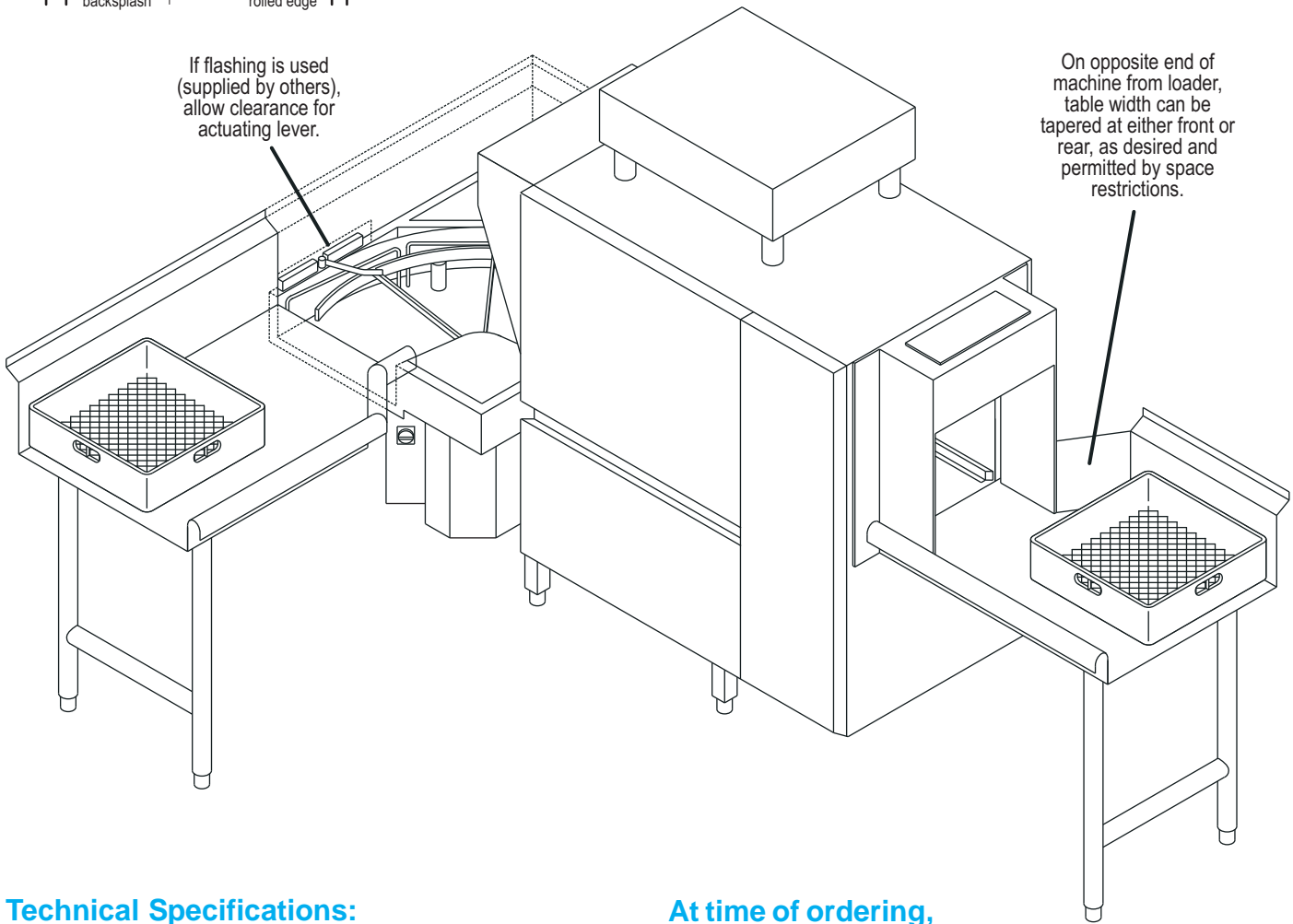
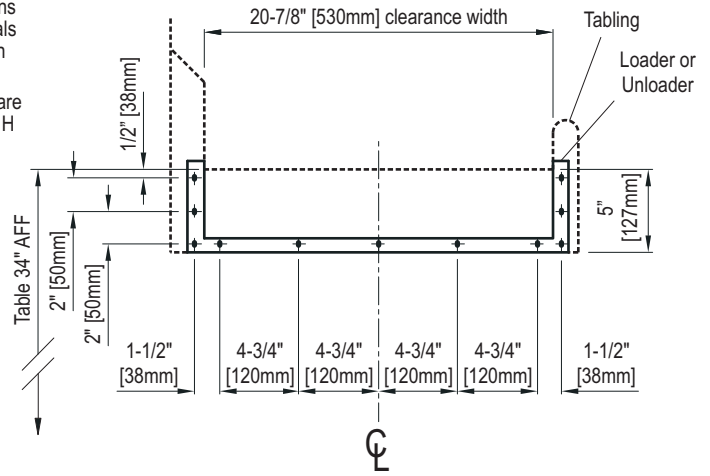
### Right-to-Left Loader OR Left-to-Right Unloader





Construct end of dish table with vertical plate per dimensions provided. Plate seals end of drip pan on loader/unloader.  
 All mounting holes are slots 1/4" W x 1/2" H [6 x 12mm].

### Section A-A



### Technical Specifications:

Overall Dimensions ..... 34-1/4"W x 34-1/4"D x 34-1/2" H  
 (870 x 870 x 876mm)

Table Lip-In Height ..... 34" (864mm) AFF

Wall clearances ..... As per table design

#### Electrical:

If ordered with dishmachine, power loader/unloader is interwired with dishmachine electrical supply. If adding a power loader/unloader to a dishmachine that has already been installed, contact MEIKO at [sales@meiko.us](mailto:sales@meiko.us) for assistance.

### At time of ordering, please specify:

- Dishmachine Series  
 K-Series  
 K-Tronic Series  
 M-iQ Series

- Accessory Type  
 Power Loader (PL) \*  
 Power Unloader (PU)

- Direction of Operation  
 Left-to-Right (-LR)  
 Right-to-Left (-RL)

**Note: All specifications are subject to change without notice based on MEIKO's dedicated product improvement program.**