

## Chest Freezer Sliding Glass Lid Novelty Freezer 71" Long

ITEM # \_\_\_\_\_

MODEL # \_\_\_\_\_

NAME # \_\_\_\_\_

SIS # \_\_\_\_\_

AIA # \_\_\_\_\_



738234 (KCNF170WH)

Sliding Glass Lid Novelty  
Freezer 71" Long

### Short Form Specification

Item No. \_\_\_\_\_

Flat glass lid top novelty chest freezer, 71 inches long, with sliding tempered glass lids and unobtrusive frame around the glass to ensure maximum visibility. Lid lock and key included. Internal and external structure in white painted steel for durable and sleek look. Fan cooled condenser for best preservation performance even in heavy-duty conditions. (1) coated wire storage basket and NSF thermometer included as standard. Defrost water drain with plug for easy cleaning.

Equipped with NEMA 5-15P plug.

R290 gas in the refrigeration circuit  
ETL Safety and Sanitation certifications

### Main Features

- Bottom drain with plug for easy interior cleaning and defrost water discharge
- NSF®-Certified Temperature Gauge - Durable and reliable for safety in food storage
- Coated wire basket with vertical divider for convenient and organized storage (1 basket included)
- Mechanical temperature control panel ensures reliable operation and easy adjustment
- Internal temperature display providing clear visibility of operating conditions
- Fan-cooled condenser to maintain optimal refrigeration performance under varying conditions
- Load limit indicator line guiding proper capacity usage and maintains optimal performance
- Removable rubber bumper guards for airflow spacing and shock absorption
- Cabinet capable of accepting 22 standard sized 3-gallon ice cream tubs

### Construction

- Painted white steel exterior, for durable and sleek finish
- Internal drain for easy clean out.
- Durable white painted steel interior, ensuring easy cleaning and long-lasting performance
- Heavy-duty, locking casters keeps the unit in place but allow position adjusting.
- Even cooling throughout the unit with advanced cold wall technology
- Tempered glass sliding lids for enhanced visibility and smooth operation
- Locking lids and key protect the contents of the unit.
- Ventilated condenser design improves airflow and reduces thermal load for consistent long-term operation.

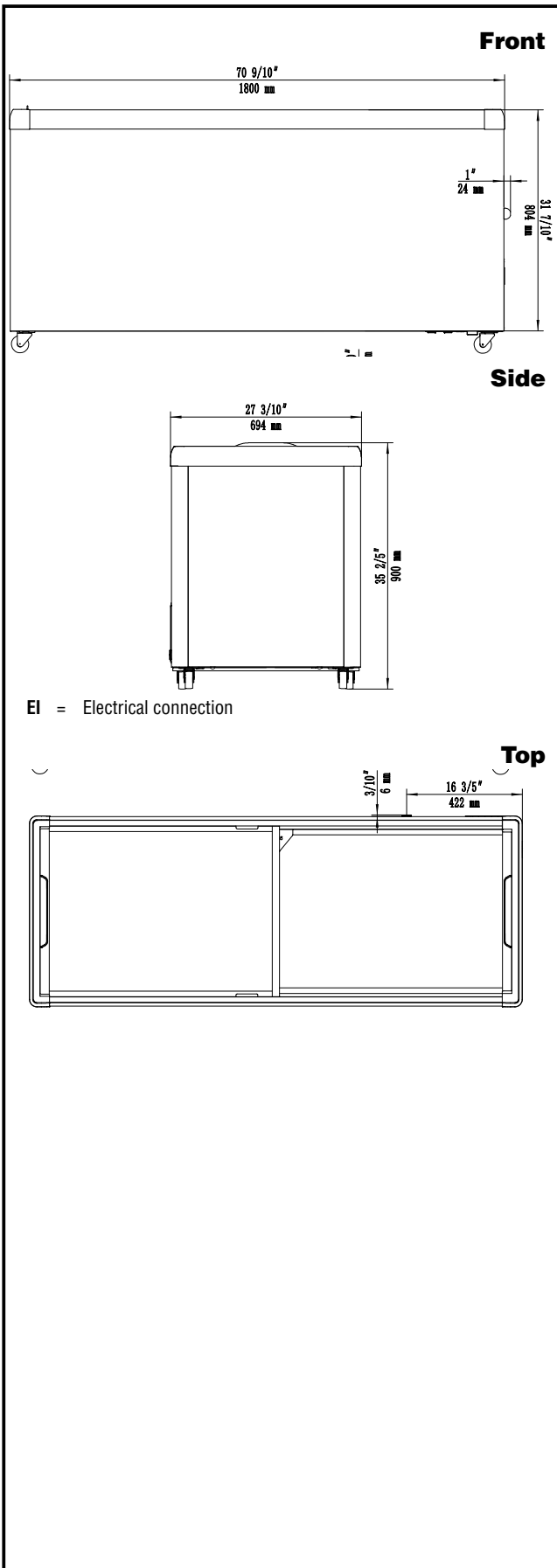
### Sustainability

- CFC and HCFC free, highly ecological refrigerant type: R290 (ecological gas in foam: cyclopentane). Hydrocarbon refrigerant gas R290 for the lowest environmental impact (GWP=3), to reduce green house and ozone depletion effects.
- High efficiency components to minimize the energy consumption still guaranteeing the highest performances.
- Hydrocarbon refrigerant gas R290 for the lowest environmental impact (GWP=3) - CFC and HCFC free.
- 70 mm insulation for energy saving

### Optional Accessories

- Basket for Glass Lid Chest Freezer PNC 882001   
22.52x10.51x12.52 in  
(572x267x318 mm)

APPROVAL: \_\_\_\_\_



## Electric

Supply voltage:	115 V/1 ph/60 Hz
Electrical power, max:	0.3 kW
Plug type:	USA NEMA 5-15P

## Capacity:

Gross capacity:	23 cu.feet
-----------------	------------

## Key Information:

Number and type of basket (included):	1 - Vinyl-Coated Wire
Warranty:	1 / 5 years
Temperature control:	Mechanical
External dimensions, Width:	70 13/16" (1799 mm)
External dimensions, Depth:	27 5/16" (694 mm)
External dimensions, Height:	34 5/8" (880 mm)
Internal Dimensions (depth):	21 5/8" / (550 mm)
Internal Dimensions (height):	26 13/16" / (681 mm)
Internal Dimensions (width):	65 3/16" / (1655 mm)
Net weight:	209 lbs (95 kg)
Shipping width:	30 1/2" (775 mm)
Shipping height:	40 3/4" (1035 mm)
Shipping weight:	243 lbs (110 kg)
Shipping volume:	53.02 ft <sup>3</sup> (1.5 m <sup>3</sup> )
Approvals	ETL C&US;ETL SANITATION

## Refrigeration Data

Condenser type:	Ventilated
Temperature display location:	Internal
Operating temperature min.:	-18.4 °F
Compressor power:	1/2 hp
Operating temperature max.:	6.8 °F

## Sustainability

Current consumption:	4.1 Amps
Refrigerant type:	R290
Refrigerant weight:	135 g



Chest Freezer  
Sliding Glass Lid Novelty Freezer 71" Long

The company reserves the right to make modifications to the products without prior notice. All information correct at time of printing.