

**Refrigeration Equipment
1-Hinged Glass Door Full Height
Merchandiser Refrigerator 25" Long
12 Cu. Ft.**

ITEM # _____

MODEL # _____

NAME # _____

SIS # _____

AIA # _____



738247 (KCHGM12R)

1-Hinged Glass Door Full Height Merchandiser Refrigerator 25" Long

Short Form Specification

Item No. _____

1-glass door refrigerator with exterior back panel, bottom panel, and top panel in galvanized steel, exterior side panels in painted steel; interior back, side, and top panels in painted aluminum, and internal bottom panel in 304 stainless steel. Durable and easy to clean for daily commercial use. Control with cabinet temperature display. Self-closing door feature lock and key.

Electronic control.

R290 gas in refrigeration circuit.

ETL Safety and Sanitation certified.

3/5 Years warranty.

Main Features

- External temperature display.
- Bright LED illumination, enhancing product visibility for impactful merchandising
- Removable gasket for easy cleaning operations.
- Fin & Tube Condenser improves performance in high temperature environments.
- Electronic Temperature Control, quick and simple to set, with control display for easy monitoring.
- Automatic Defrost Cooling System provides worry-free performance.
- Heavy duty Vinyl coated steel shelves.
- Cabinet completely insulated with high density polyurethane for low environmental impact.
- Adjustable shelves for flexible storage
- Decorative illuminated header, customizable for enhanced branding capability
- On/off switch controls interior LED lights
- Back bottom mounted cooling unit guarantee an easy access and cleaning.
- Removable rubber bumper guards for airflow spacing and shock absorption

Construction

- Painted black steel exterior, for durable and sleek modern finish
- Self closing doors.
- White aluminum interior, bright and clean polished look for elevated presentation
- Lockable door.
- Electronic control to select temperatures.
- Pre-wired heavy duty power cord.
- Heavy duty door hinges.
- Heavy duty casters.
- Magnetic gasket removable without tools for easy cleaning.

Sustainability

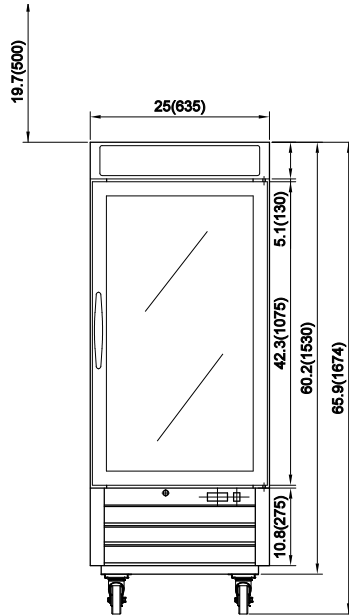
- CFC and HCFC free, highly ecological refrigerant type: R290 (ecological gas in foam: cyclopentane). Hydrocarbon refrigerant gas R290 for the lowest environmental impact (GWP=3), to reduce green house and ozone depletion effects.
- Hydrocarbon refrigerant gas R290 for the lowest environmental impact (GWP=3) - CFC and HCFC free.
- High efficiency components to minimize the energy consumption still guaranteeing the highest performances.
- Interior LED light to save energy and for best internal visibility.
- 60 mm insulation for energy saving.

Optional Accessories

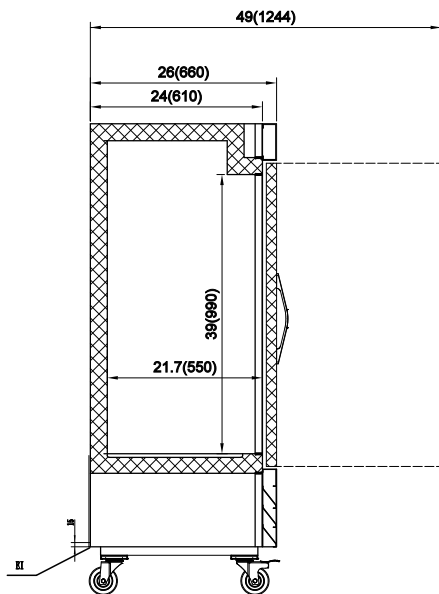
- Shelf clips (4-pack) PNC 880611
- Shelf for 12" Merchandiser (Glass Door) PNC 880619

APPROVAL: _____

Front

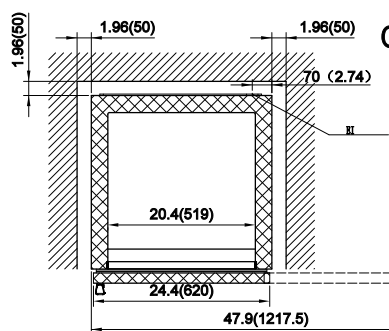


Side



EI = Electrical connection

Top



Electric

Supply voltage: 115 V/1 ph/60 Hz
Electrical power, max: 0.31 kW
Plug type: USA NEMA 5-15P

Capacity:

Gross capacity: 12 cu.feet

Key Information:

Number and type of grids (included): 4 - Vinyl-Coated steel
Warranty: 3 / 5 years
Door hinges: Right Side
External dimensions, Width: 25 " (635 mm)
External dimensions, Depth: 26 " (660 mm)
External dimensions, Height: 65 15/16" (1674 mm)
Number and type of doors: 1 Glass
Internal Dimensions (depth): 21 11/16" / (551.18 mm)
Internal Dimensions (height): 39 " / (990.6 mm)
Internal Dimensions (width): 20 3/8" / (518.16 mm)
Shipping height: 68 11/16" (1745 mm)
Shipping weight: 247 lbs (112 kg)
Shipping volume: 30.57 ft³ (0.87 m³)
Type of external material: Black Prepainted Steel
Type of internal material: White Prepainted Aluminium
Approvals: ETL C&US;ETL SANITATION

Refrigeration Data

Condenser type: Fin & tube
Operating temperature min.: 32 °F
Compressor power: 1/5 hp
Operating temperature max.: 41 °F
Defrost type: Auto Defrost

Sustainability

Current consumption: 3 Amps
Refrigerant type: R290
GWP Index: 3
Refrigerant weight: 85 g

