

## Refrigeration Equipment Slide Top Bottle Cooler Black 50" Long

ITEM # \_\_\_\_\_

MODEL # \_\_\_\_\_

NAME # \_\_\_\_\_

SIS # \_\_\_\_\_

AIA # \_\_\_\_\_



738267 (KCHBC50)

Slide Top Bottle Cooler Black  
50" Long

### Short Form Specification

Item No. \_\_\_\_\_

50" wide Bottle cooler with 2 sliding tops. Exterior back and side panels in painted steel, exterior bottom panel in galvanized steel, top panel in 304 stainless steel; interior side panels in 430 stainless steel, interior back panel, interior bottom panel and worktop in 304 stainless steel. Fin & tube condenser to improve the performances in high temperature environments. Automatic Defrost Cooling System and electronic temperature control. Vinyl-coated steel adjustable dividers and locking lids.

R600a gas in refrigeration circuit.

ETL Safety and Sanitation certified.

3/5 Years warranty.

### Main Features

- External digital temperature display.
- Fin & Tube Condenser improves performance in high temperature environments.
- Automatic Defrost Cooling System provides worry-free performance.
- Vinyl-Coated Steel adjustable dividers to customize bottle storage effortlessly.
- Cabinet completely insulated with high density polyurethane for low environmental impact.
- Locking lids protect the contents of the unit.
- Bottle opener & cap catcher included, for clean and efficient bar area
- Removable rubber bumper guards for airflow spacing and shock absorption
- Cabinet capable of accepting 336 standard 12-ounce long-neck bottles

### Construction

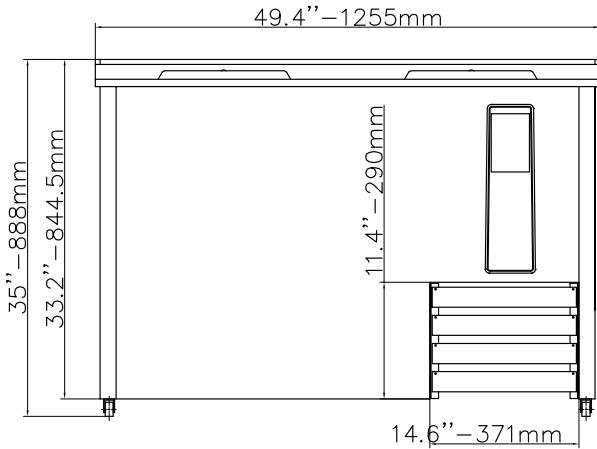
- Painted black steel exterior, for durable and sleek modern finish
- Pre-wired heavy duty power cord.
- Stainless steel interior, durable and easy to clean for daily commercial use
- Electronic control to select temperatures.
- Smooth rolling wheels, for effortless mobility
- Stainless steel worktop, durable functionality

### Sustainability

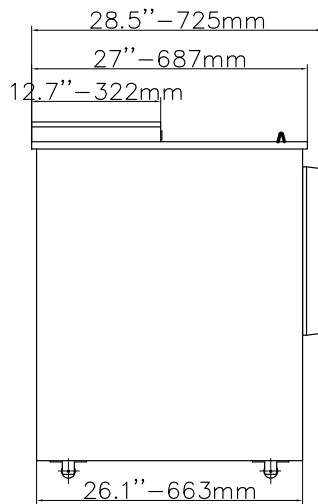
- CFC and HCFC free (ecological refrigerant type: R600a).
- High efficiency components to minimize the energy consumption still guaranteeing the highest performances.
- Interior LED light to save energy and for best internal visibility.
- 40 mm insulation for energy saving

APPROVAL: \_\_\_\_\_

**Front**

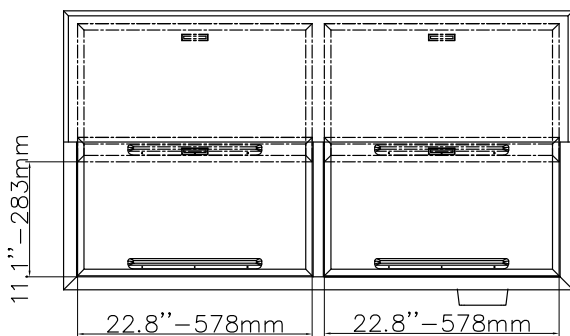


**Side**



EI = Electrical connection

**Top**



## Electric

Supply voltage:	115 V/1 ph/60 Hz
Electrical power, max:	0.31 kW
Plug type:	USA NEMA 5-15P

## Capacity:

Number and type of grids (included):	2 - 513x605
Gross capacity:	13.7 cu.feet

## Key Information:

Warranty:	3 / 5 years
External dimensions, Width:	49 7/16" (1255 mm)
External dimensions, Depth:	28 9/16" (725 mm)
External dimensions, Height:	34 15/16" (888 mm)
Number and type of doors:	2
Internal Dimensions (depth):	26 1/16" / (662 mm)
Internal Dimensions (height):	22 15/16" / (583 mm)
Internal Dimensions (width):	45 3/8" / (1153 mm)
Shipping height:	39 3/4" (1010 mm)
Shipping weight:	234 lbs (106 kg)
Shipping volume:	34.04 ft <sup>3</sup> (0.96 m <sup>3</sup> )
Type of external material:	Black Prepainted Steel
Type of internal material:	Stainless Steel
Approvals	ETL C&US;ETL SANITATION

## Refrigeration Data

Condenser type:	Fin & tube
Operating temperature min.:	32 °F
Compressor power:	1/8 hp
Operating temperature max.:	41 °F
Defrost type:	Auto Defrost

## Sustainability

Current consumption:	3 Amps
Refrigerant type:	R600a
GWP Index:	3
Refrigerant weight:	70 g



Refrigeration Equipment  
Slide Top Bottle Cooler Black 50" Long

The company reserves the right to make modifications to the products without prior notice. All information correct at time of printing.