

**MODEL: IRR-AGB701\_901\_1402 PDC  
 IRR-AGB701\_901\_1402 PDCR**

**Top Mounted Pass-Through Refrigerators**

**GENERAL FEATURES**



**IRR-AGB901PDC**



**IRR-AGB901PDCR**

- ✓ **Higher energy efficiency.** R290 refrigerant with electric fans, LED lighting and evaporative tray without electric resistances.
- ✓ **Sanitation.** Our units feature a hygienic design with rounded corners that have a large radius, making them easy to clean. Additionally, the shelves and runners inside the display can be quickly removed for thorough interior cleaning. Each unit is equipped with a trap at the bottom to facilitate cleaning.
- ✓ **Doors.** Self-closing door system features a permanent pressure mechanism, ensuring a secure closure every time. Additionally, a convenient 'stay open' feature engages when the door remains open at 95 degrees or beyond. Our doors also include triple chamber door gaskets that are easy to remove and snap in, ensuring an effective seal. Plus, for added flexibility, our doors are field reversible, allowing for easy installation and use in a variety of settings.
- ✓ **Control System.** Our temperature management system offers unparalleled precision, allowing for highly accurate temperature settings. With greater flexibility in adjusting temperature ranges, our system can be tailored to meet the unique needs of each end user. This ensures optimal performance and maximum satisfaction with every use.
- ✓ **Lighting.** LED lighting in the canopy and cabinet sides reduces the energy consumption by 80% to 90% compared to a traditional bulb, better light quality.
- ✓ **100% Tested.** All condenser units are 100% tested, in helium chambers for refrigerant leak detections.
- ✓ **Certified.** Audited and Certified by INTERTEK for compliance with UL 471 and NSF 7.



Review:01 Date: 04/15/2024 IRR-AGB901PDC / IRR-AGB901PDCR

ETL LISTED TO UL471 STANDARD AND SANITATION CLASSIFIED TO NSF7 – WE RESERVE THE RIGHT TO CHANGE SPECIFICATIONS WITHOUT PRIOR NOTICE

**MODEL: IRR-AGB701\_901\_1402 PDC IRR-AGB701\_901\_1402 PDCR** *Top Mounted Pass-Through Refrigerators*

**STANDARD FEATURES**

➤ **Exterior**

- AISI 304 Stainless Steel.

➤ **Interior**

- AISI 304 Stainless Steel.
- Sealed interior floors and rounded cabinet corners.
- LED lighting.

➤ **Door**

- AISI 304 Stainless Steel.
- Self – closing door with stay open feature.
- Stainless Steel heavy-duty hinges.
- Triple chamber snap in door gaskets for easy removal and cleaning. (Only IRR-AGB901PDCR).
- Field reversible door (hardware needed).
- Door locks.
- Full-height door opening: 23” x 53” (584x1,346 mm).

➤ **Insulation**

- CFC- Free polyurethane insulation, entire cabinet structure is foamed-in using a high-density polyurethane insulation.
- Low GWP & Zero ODP effect.

➤ **Casters**

- 4" Diameter casters already installed.
- Locks provided on front set.

**OPTIONAL FEATURES**

- ✓ Stainless Steel wire shelf.
- ✓ Additional slide kits.
- ✓ Split doors, (only model IRR-AGB701PDC\_PDCR).
- ✓ Additional universal tray slides (IRR-AGB901).
- ✓ Set of 6” legs, height adjustable from 5” to 8”.
- ✓ Electrical connection is 230 V / 1 ph / 50 Hz (Plug type and consumption varies), model
- ✓ AGB701PDC\_PDCR: 2.94A.  
AGB901PDC\_PDCR: 7.3A.  
AGB1402PDC\_PDCR: 8.2A
- ✓ Stainless steel legs, height adjustable from 5-7/64 x 7-5/64 (130-180mm).

➤ **Shelving**

- (6) Six plastic coated wire shelves single door with stainless steel tray slides included. (IRR-AGB901).
- (6) Six plastic coated wire shelves single door with universal stainless steel tray slides included (IRR-AGB701\_1402).
- Dimensions WxD: 25-5/8” x 31-1/2” (602 x 817 mm), only model IRR-AGB901PDC\_PDCR.
- Dimensions WxD: 19-9/32 x 25-37/64” (490 x 650 mm), only models IRR-AGB701\_1402\_PDC\_PDCR.

➤ **Refrigeration**

- **Standard expansion valve**
- Digital temperature controller with automatic defrost system.
- Hinged control panel, easily removable.
- **Compact refrigeration system Monoblock, INFRIBLOCK®.**
- Energy-saving non-electric condensate pan.
- Evaporator coil coated with anti-corrosion material 100% Polyester.
- Expansion valve.
- **Refrigeration capacity:**  
 IRR-AGB701PDC – 2,355 Btu/h(14°F) / - 690 W(-10°C).  
 IRR-AGB701PDC – 2,355 Btu/h(14°F) / - 690 W(-10°C).  
 IRR-AGB901PDC – 2,354 Btu/h(14°F) / 690 W(-10°C).  
 IRR-AGB901PDCR – 2,354 Btu/h(14°F) / 690 W(10°C).  
 IRR-AGB1402PDC – 4,708 Btu/h(14°F) / 1.380W(10°C).  
 IRR-AGB1402PDCR – 4,708 Btu/h(14°F) / 1.380 W(10°C).

➤ **Electrical**

- Cord and NEMA 5-15 plug.
- Electrical connection is 115V / 1ph / 60 Hz.



➤ **ETL Listed to UL471 Standard and Sanitation classified to NSF7.**

**MODEL: IRR-AGB701\_901\_1402 PDC  
 IRR-AGB701\_901\_1402 PDCR**

**Top Mounted Pass-Through Refrigerators**

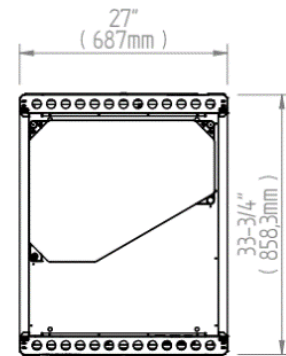
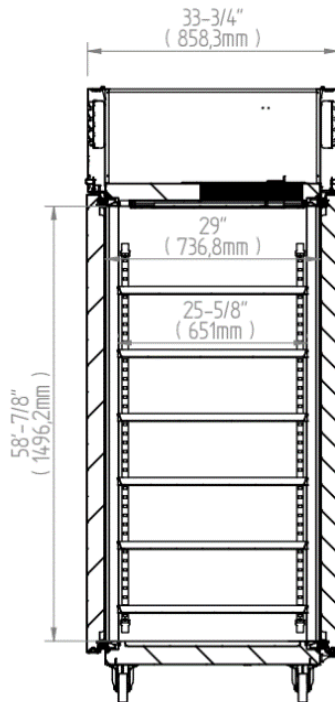
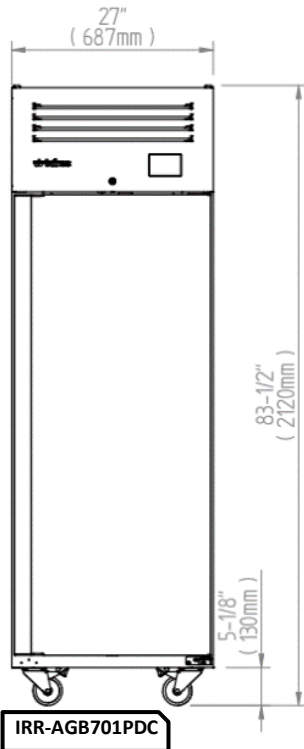
MODELS	Dimensions (inches) (mm)			Doors	Shelves	Ref	Ref. Weight (Lbs.) (gr.)	Temperature Range (°F) (°C)	Capacity (Cu.Ft.) (L)	Cond. Unit. c.c	Case Amps 115V	Crated weight (Lbs.) (kg.)
	W	D	H									
IRR-AGB701PDC	27 (687)	33-3/4 (858.3)	83-1/2 (2,120)	2	6	R290	0.25 (115)	28°F / 46°F (-2°C/+8°C)	19.7 (560)	1/3	2.94	385 (175)
IRR-AGB701PDCR	27 (687)	33-3/4 (858.3)	83-1/8 (2,111)	2	6	R290	0.25 (115)	28°F / 46°F (-2°C/+8°C)	19.7 (560)	1/3	2.94	385 (175)
IRR-AGB901PDC	31-3/8 (798)	40-3/8 (1,025)	83-1/2 (2,120)	2	6	R290	0.25 (115)	28°F / 46°F (-2°C/+8°C)	27.7 (785)	1/3	7.3	458 (208)
IRR-AGB901PDCR	31-3/8 (798)	40-3/8 (1,025)	83-1/8 (2,112)	2	6	R290	0.25 (115)	28°F / 46°F (-2°C/+8°C)	27.7 (785)	1/3	7.3	458 (208)
IRR-AGB1402PDC	54-1/2 (1,385)	33-3/4 (858.8)	83-1/2 (2,120)	4	6-12	R290	0.25-0.25 (115-115)	28°F / 46°F (-2°C/+8°C)	43.7 (1,240)	2/5	8.2	795 (360)
IRR-AGB1402PDCR	54-1/2 (1,375)	33-3/4 (858.8)	83-1/2 (2,120)	4	6-12	R290	0.25-0.25 (115-115)	28°F / 46°F (-2°C/+8°C)	43.7 (1,240)	2/5	8.2	795 (360)

**PLAN VIEW**

**ELEVATION**

**RIGHT VIEW**

**PLANT VIEW**



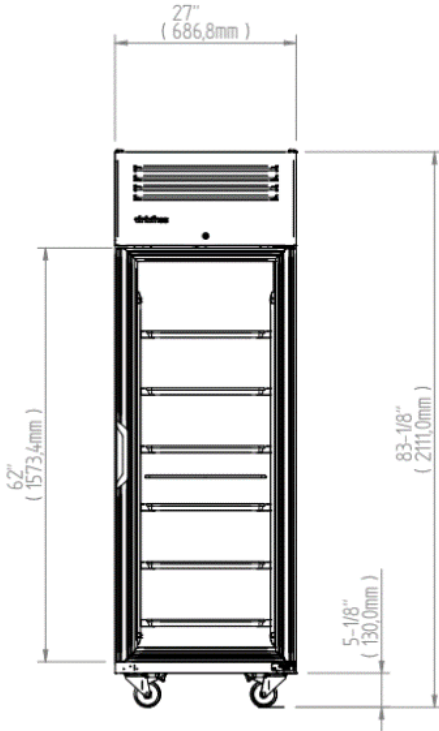
Review:02 Date: 07/31/2024 IRR-AGB701\_901\_1402PDC/PDCR

ETL LISTED TO UL471 STANDARD AND SANITATION CLASSIFIED TO NSF7 – WE RESERVE THE RIGHT TO CHANGE SPECIFICATIONS WITHOUT PRIOR NOTICE

**MODEL: IRR-AGB701\_901\_1402 PDC**  
**IRR-AGB701\_901\_1402 PDCR**

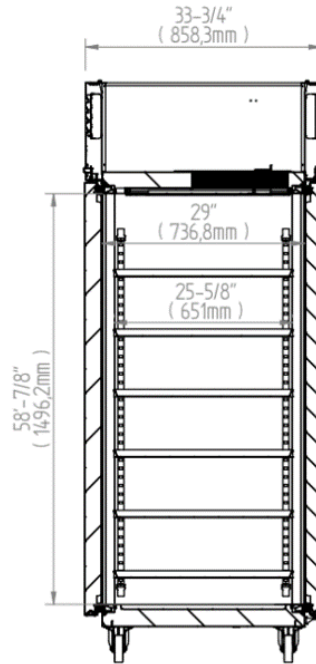
**Top Mounted Pass-Through Refrigerators**

**ELEVATION**

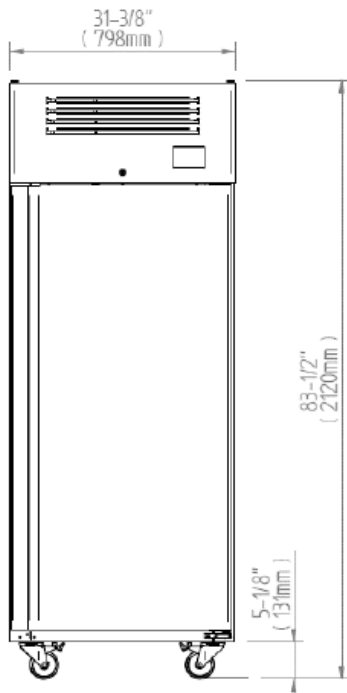
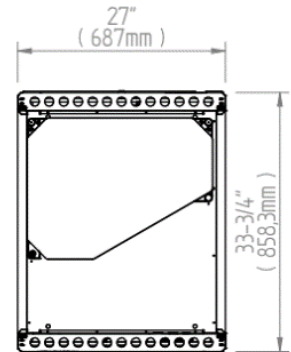


**IRR-AGB701PDCR**

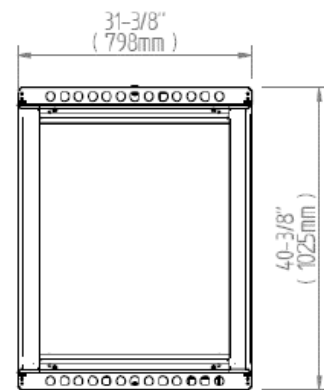
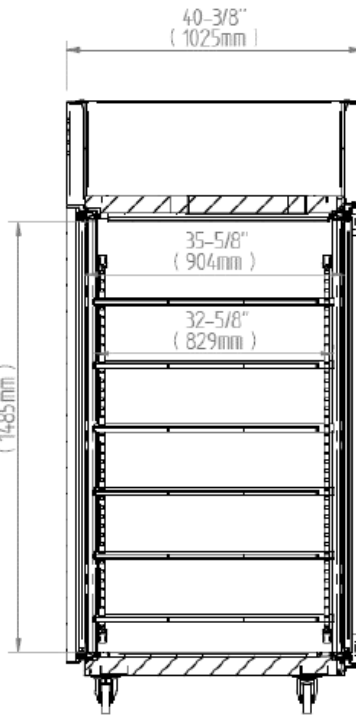
**RIGHT VIEW**



**PLANT VIEW**



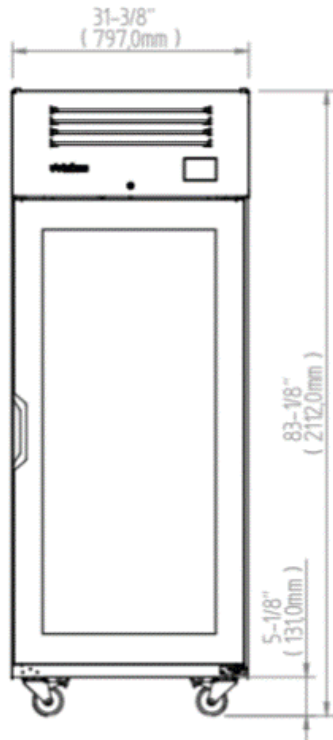
**IRR-AGB901PDC**



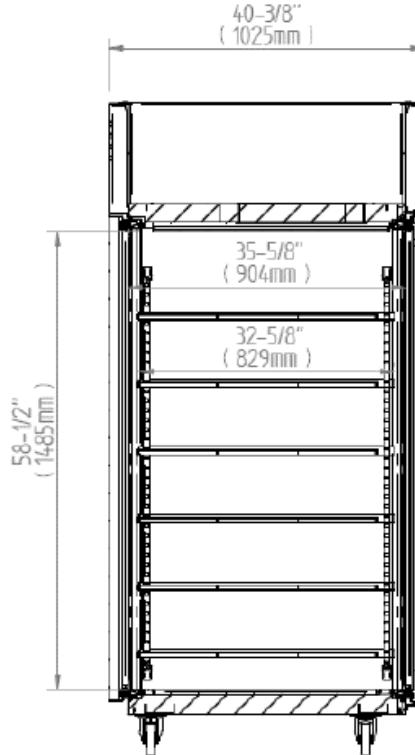
**MODEL: IRR-AGB701\_901\_1402 PDC**  
**IRR-AGB701\_901\_1402 PDCR**

**Top Mounted Pass-Through Refrigerators**

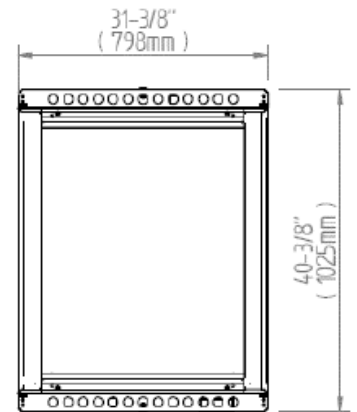
**ELEVATION**



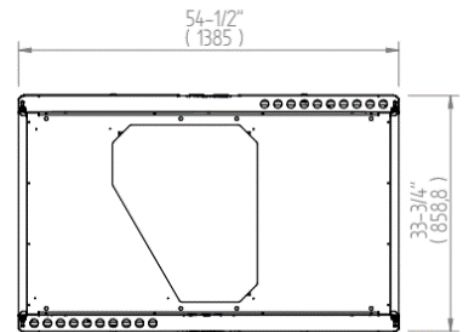
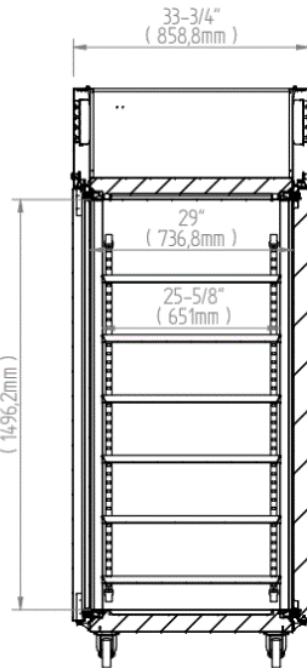
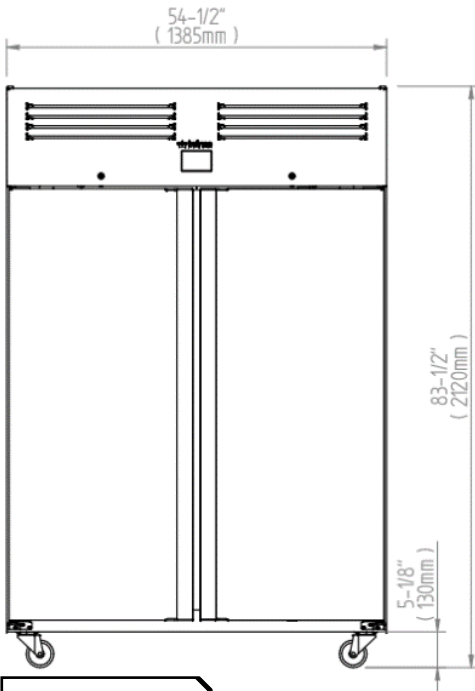
**RIGHT VIEW**



**PLANT VIEW**



**IRR-AGB901PDCR**



**IRR-AGB1402PDC**

Review:02 Date: 07/31/2024 IRR-AGB701\_901\_1402PDC/PDCR

ETL LISTED TO UL471 STANDARD AND SANITATION CLASSIFIED TO NSF7 – WE RESERVE THE RIGHT TO CHANGE SPECIFICATIONS WITHOUT PRIOR NOTICE

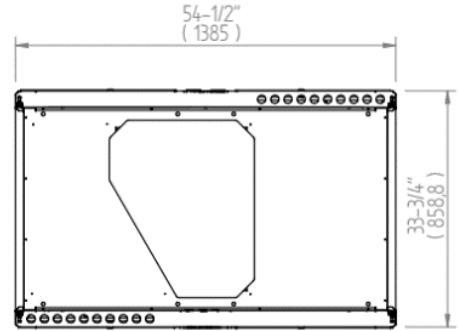
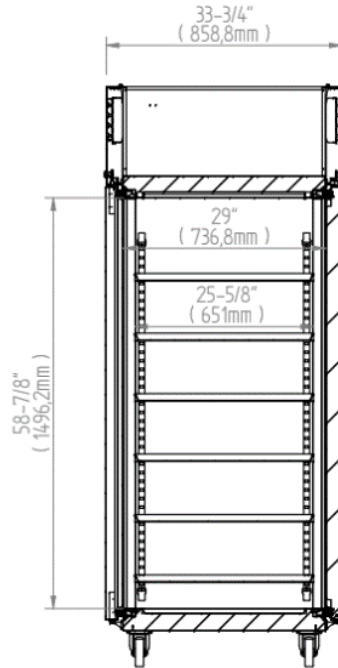
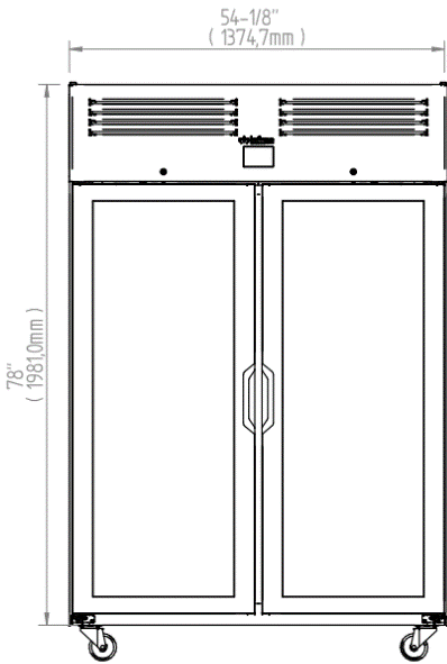
**MODEL: IRR-AGB701\_901\_1402 PDC  
 IRR-AGB701\_901\_1402 PDCR**

**Top Mounted Pass-Through Refrigerators**

**ELEVATION**

**RIGHT VIEW**

**PLANT VIEW**



**IRR-AGB1402PDCR**

Review:02 Date: 07/31/2024 IRR-AGB701\_901\_1402PDC/PDCR

ETL LISTED TO UL471 STANDARD AND SANITATION CLASSIFIED TO NSF7 – WE RESERVE THE RIGHT TO CHANGE SPECIFICATIONS WITHOUT PRIOR NOTICE