

MODEL: IDC-VAR12H
 IDC-VAR18H / IDC-VAR24H

Gelato display cases



IDC-VAR18H

GENERAL FEATURES

- ✓ **Main features.** Curved glass gelato display cabinet plug in ECO R290. Refrigerator design for freezing with two completely independent circuits with individual control of the final defrosting temperature. Hinged front glass, tempered and heated. Sides with double glazing in high resistance lacquered water-repellent MDF finish. Tempered glass top worktop. Worktop in white Quartz Compac. AISI304 stainless steel tray support. High-pressure injected polyurethane insulation. CFC-free polyurethane insulation, density 2.50 lb/ft³. Front and side decoration in high resistance lacquered waterproof MDF high resistance. High efficiency cold white 6000K LED lighting. Electronic fans, electronic control. Night curtain. Casters.
- ✓ **Higher energy efficiency.** R290 refrigerant with electric fans, LED lighting and evaporative tray without electric resistances.
- ✓ **Control System.** Our temperature management system offers unparalleled precision, allowing for highly accurate temperature settings. With greater flexibility in adjusting temperature ranges, our system can be tailored to meet the unique needs of each end user. This ensures optimal performance and maximum satisfaction with every use.
- ✓ **Lighting.** LED lighting in the canopy and cabinet sides reduces the energy consumption by 80% to 90% compared to a traditional bulb, better light quality.
- ✓ **100% Tested.** All condenser units are 100% tested, in helium chambers for refrigerant leak detections.
- ✓ **Certified.** Audited and Certified by INTERTEK for compliance with UL 471 and NSF 7.



Rev: 01 Date: 10/10/2025 IDC- VAR12H_VAR18H_VAR24H

ETL LISTED TO UL471 STANDARD AND SANITATION CLASSIFIED TO NSF7 – WE RESERVE THE RIGHT TO CHANGE SPECIFICATIONS WITHOUT PRIOR NOTICE

MODEL: IDC-VAR12H
IDC-VAR18H / IDC-VAR24H

Gelato display cases

STANDARD FEATURES

➤ **Exterior**

- AISI 304 Stainless Steel.

➤ **Interior**

- AISI 304 Stainless Steel, exhibition plan.
- LED lighting.

➤ **Doors**

- Rear sliding doors.

➤ **Insulation**

- CFC – Free polyurethane insulation, entire cabinet structure is foamed-in using a high-density polyurethane insulation.
- Low GWP & Zero ODP effect.

➤ **Refrigeration**

- Temperature regulated by digital control.
- Stainless Steel evaporative pan.
- Evaporator coil coated with anti-corrosion material 100% polyester.
- Refrigeration capacity:
 IDC-VAR12H – 3,449.67 Btu/h (14°F) / **1.011 W (-10°C)**.
 IDC-VAR18H – 4,456.25 Btu/h (14°F) / **1.306 W (-10°C)**.
 IDC-VAR24H – 4,456.25 Btu/h (14°F) / **1.306 W (-10°C)**.

➤ **Electrical**

- Cord and NEMA 6-20P plug.
- Electrical connection is 220V/ 1ph / 60 Hz.



➤ **ETL Listen to UL471 Standard and Sanitation classified to NSF7.**

OPTIONAL FEATURES

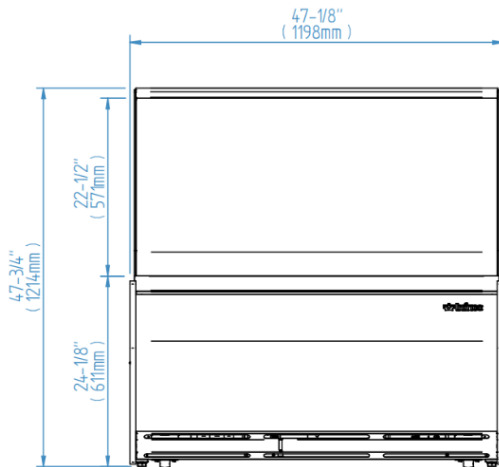
- Tray combinations.
- Optional colors as indicated in the catalog

MODEL: IDC-VAR12H
IDC-VAR18H / IDC-VAR24H

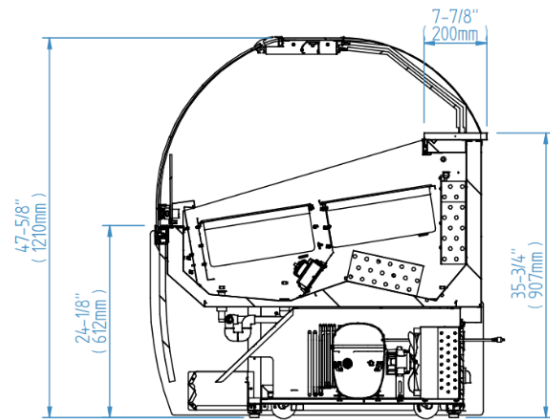
Gelato display cases

MODELS	Dimensions (inches) (mm)			Doors	Ref.	Ref.Weight (Lbs.) (gr.)	Temperature Range (°F) (°C)	Cond. Unit (H.P)	Capacity (Cu.Ft) (L)	Case Amps 115V	Net weight (Lbs.) (Kg.)
	W	D	H								
IDC-VAR12H	47-1/8 (1.198)	42-1/8 (1.071)	47-3/4 (1.214)	2	R290	0.617 (280)	5°F / -0.40°F (-15°C/-18°C)	1-1/4	6.42 (182)	10.14	418.88 (190)
IDC-VAR18H	67-3/8 (1.710)	42-1/8 (1.071)	47-3/4 (1.214)	2	R290	0.31 + 0.26 (140+120)	5°F / -0.40°F (-15°C/-18°C)	1+1/2	8.05 (228)	14.31	573.20 (260)
IDC-VAR24H	87-3/8 (2.220)	42-1/8 (1.071)	47-3/4 (1.214)	2	R290	0.33+ 0.26 (150+120)	5°F / -0.40°F (-15°C/-18°C)	1-1/4+3/4	9.67 (274)	14.35	617.29 (280)

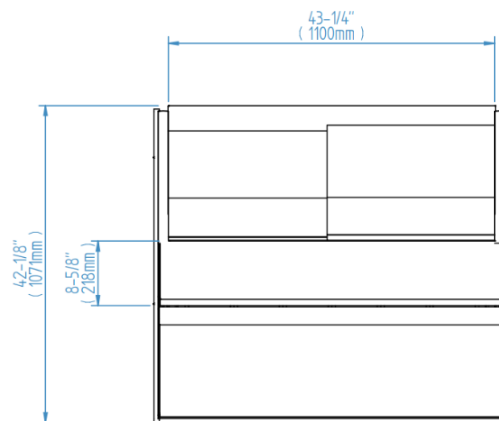
ELEVATION



RIGHT VIEW



PLAN VIEW



IDC-VAR12H

Rew: 01 Date: 10/02/2025 IDC-VAR12H_VAR18H_VAR24H

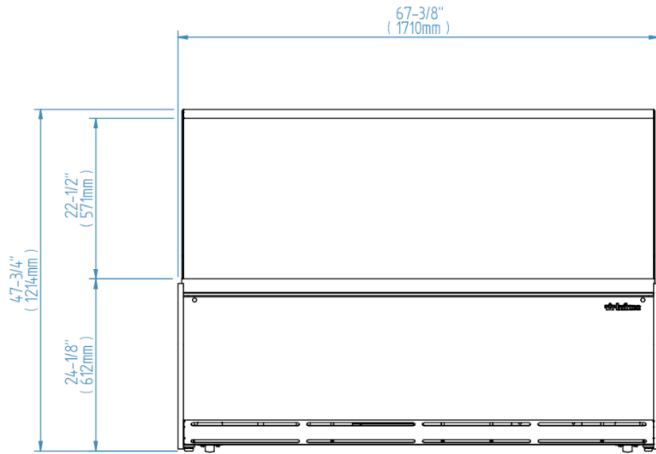
ETL LISTED TO UL471 STANDARD AND SANITATION CLASSIFIED TO NSF7 – WE RESERVE THE RIGHT TO CHANGE SPECIFICATIONS WITHOUT PRIOR NOTICE

Project: _____
 Location: _____
 Item #: _____ Quantity: _____
 Model #: _____

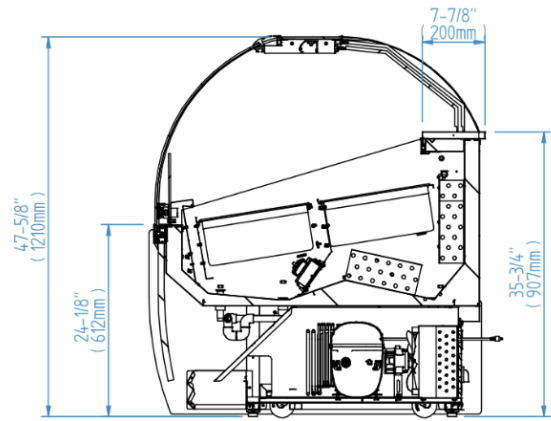
MODEL: IDC-VAR12H
IDC-VAR18H / IDC-VAR24H

Gelato display cases

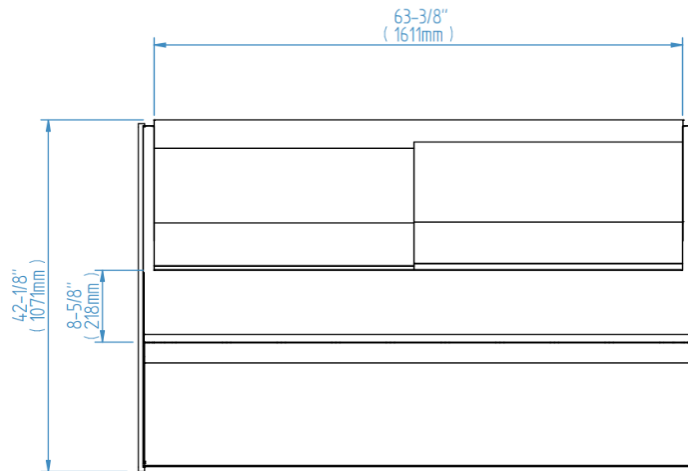
ELEVATION



RIGHT VIEW



PLAN VIEW



IDC-VAR18H

ETL LISTED TO UL471 STANDARD AND SANITATION CLASSIFIED TO NSF7 – WE RESERVE THE RIGHT TO CHANGE SPECIFICATIONS WITHOUT PRIOR NOTICE

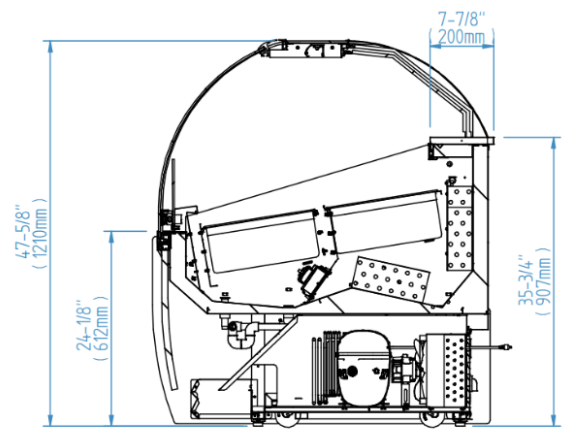
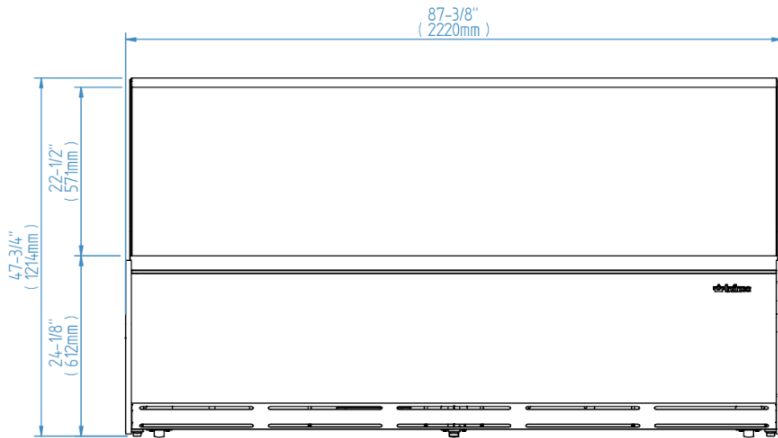
Project: _____
 Location: _____
 Item #: _____ Quantity: _____
 Model #: _____

MODEL: IDC-VAR12H
IDC-VAR18H / IDC-VAR24H

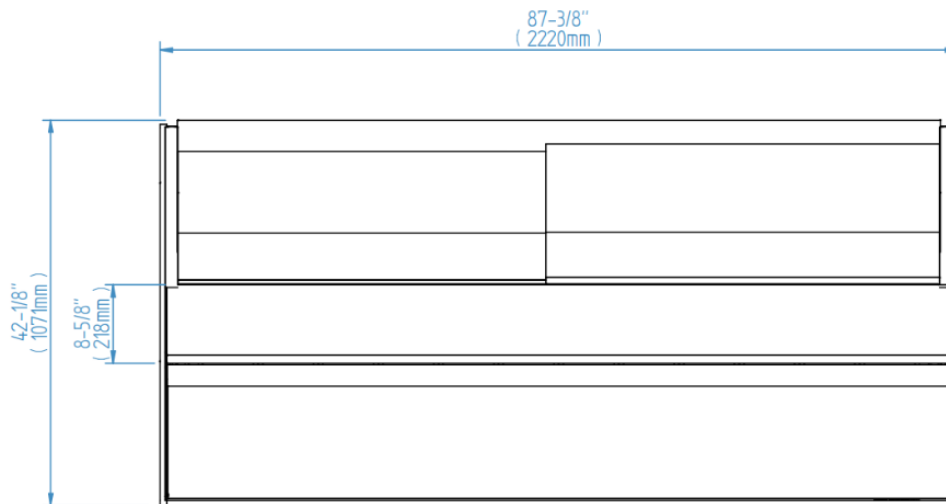
Gelato display cases

ELEVATION

RIGHT VIEW



PLAN VIEW



IDC-VAR24H

ETL LISTED TO UL471 STANDARD AND SANITATION CLASSIFIED TO NSF7 – WE RESERVE THE RIGHT TO CHANGE SPECIFICATIONS WITHOUT PRIOR NOTICE

Project: _____

Location: _____

Item #: _____ Quantity: _____

Model #: _____

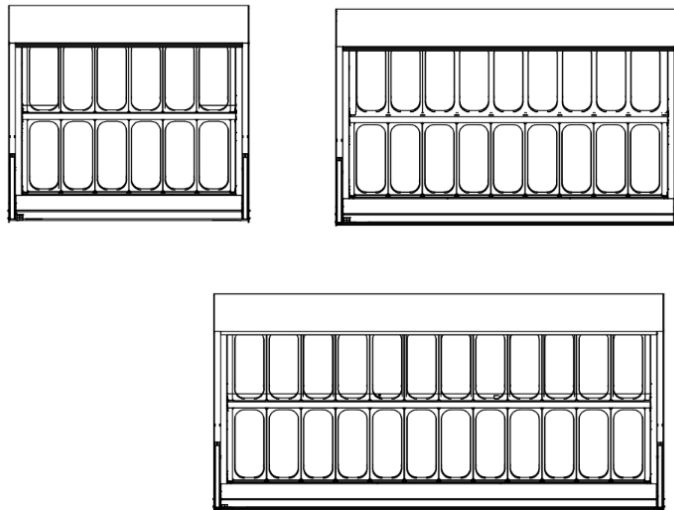
MODEL: IDC-VAR12H
IDC-VAR18H / IDC-VAR24H

Gelato display cases

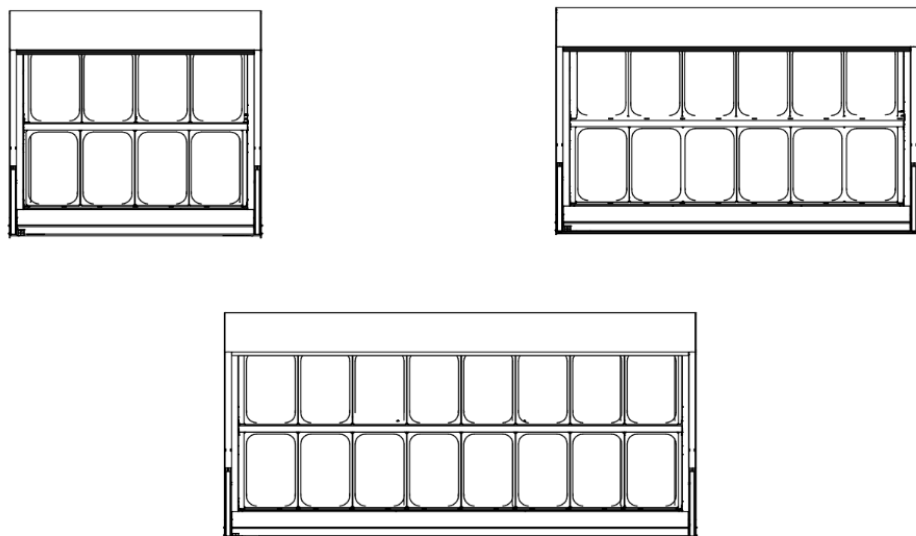
OPCIONAL FEATURES

TRAY COMBINATIONS

- Option one



- Option two



ETL LISTED TO UL471 STANDARD AND SANITATION CLASSIFIED TO NSF7 – WE RESERVE THE RIGHT TO CHANGE SPECIFICATIONS WITHOUT PRIOR NOTICE