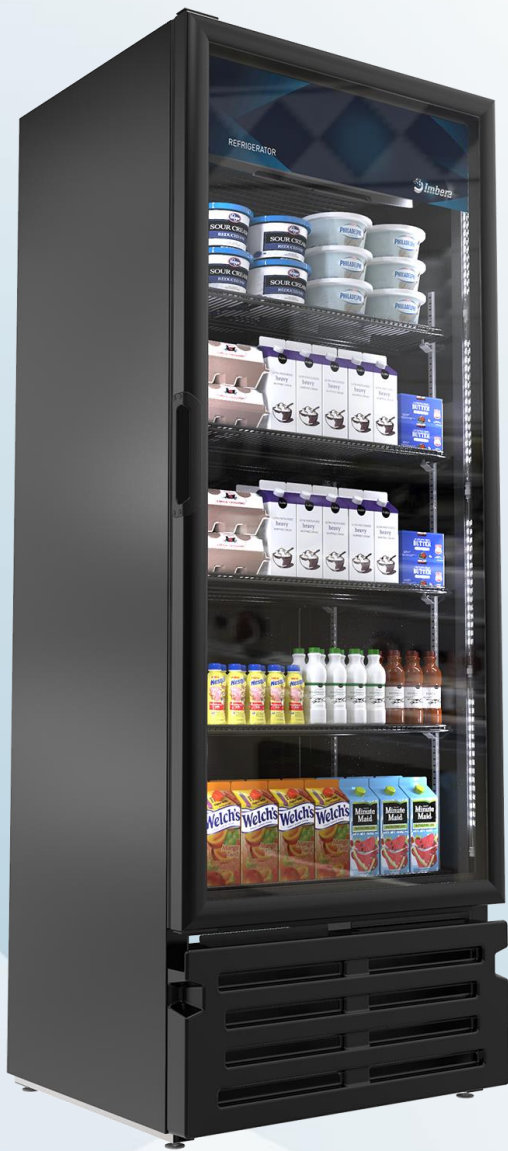


**ESTABLISHING A NEW STANDARD IN THE COMERCIAL REFRIGERATION INDUSTRY**

Energy efficient, eco-friendly HC refrigerant with low charge, spark-free components, and the lowest utility costs in its category



## KEY FEATURES



### ECO-FRIENDLY HC NATURAL REFRIGERANT

New R290 HFC-free refrigerant gas that reduces environmental impact and increases efficiency.



### NEWLY DESIGNED CONDENSER

New condenser featuring a joints reduction down to zero increasing long term refrigeration reliability and safeguarding against any system leaks.



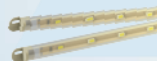
### ELECTRONIC TEMPERATURE CONTROLLER

Electronic controller assures optimal refrigeration performance through precision temperature control, and intelligent control for defrost cycle, compressor & other component functions.



### ELECTRONIC FAN MOTORS

Enhances performance and efficiency. Uses only a fraction of the energy and offers longer life expectancy than industry standard shaded-pole motors.



### LED Efficiency +220 LUX

Minimum Output

New 5th generation constant power ultra-high efficiency LED uses lowest energy possible, with highest light output.



### Spark-free refrigeration components

All HC models will have spark free refrigeration components for optimal safety, per UL requirements

## TECHNICAL SPECIFICATIONS

| Exterior dimensions | Internal dimensions | Usable interior capacity |
|---------------------|---------------------|--------------------------|
| H: 78 5/8" (199cm)  | H: 60 1/2" (153cm)  | H: 51 7/8" (132cm)       |
| W: 29 1/2" (75cm)   | W: 25 5/8" (65cm)   | W: 24 3/8" (61cm)        |
| D: 28 1/8" (71cm)   | D: 21 3/4" (55cm)   | D: 19 1/8" (48cm)        |

|                   |  |
|-------------------|--|
| Usable volume     | 13.94 ft <sup>3</sup> (394.82 lts)       |
| Doors             | 1  |
| Door construction | Plastic frame                            |
| Shelves           | 5  |
| Shelf size        | W: 24 4/5" (63cm)<br>D: 19 3/5" (49.7cm) |
| External material | Pre-painted steel                        |
| Internal material | Pre-painted steel                        |

## DATA CAPACITY\*\*

|                       |     |
|-----------------------|-----|
| 20 oz bottle capacity |     |
| Total:                | 240 |
| Facings per shelf:    | 8   |
| Total facings:        | 40  |
| 16 oz can capacity    |     |
| Total:                | 756 |
| Facings per shelf:    | 9   |
| Total facings:        | 99  |

## REFRIGERATION PERFORMANCE DATA

|                            |                       |                        |
|----------------------------|-----------------------|------------------------|
| Refrigerant                | R290                  | 1.9 oz(0.055kg)        |
| Energy consumption         | 1.810 kwh / 24 h      |                        |
| Compressor power           | 1/4 HP                | 242 watts              |
| Condenser                  | Dynamic               |                        |
| Thermostat setting default | Cut-out<br>32°F (0°C) | Cut-in<br>44.6°F (7°C) |

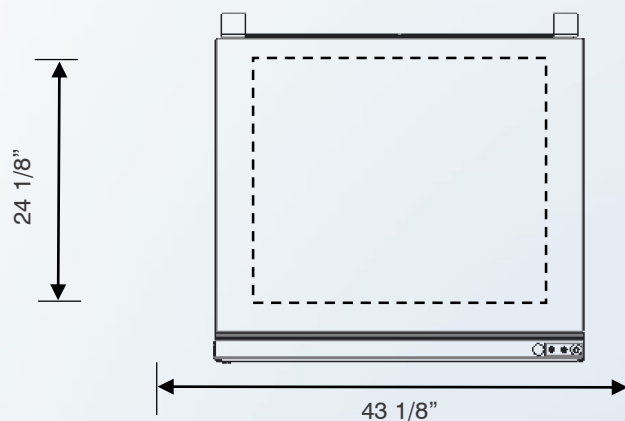
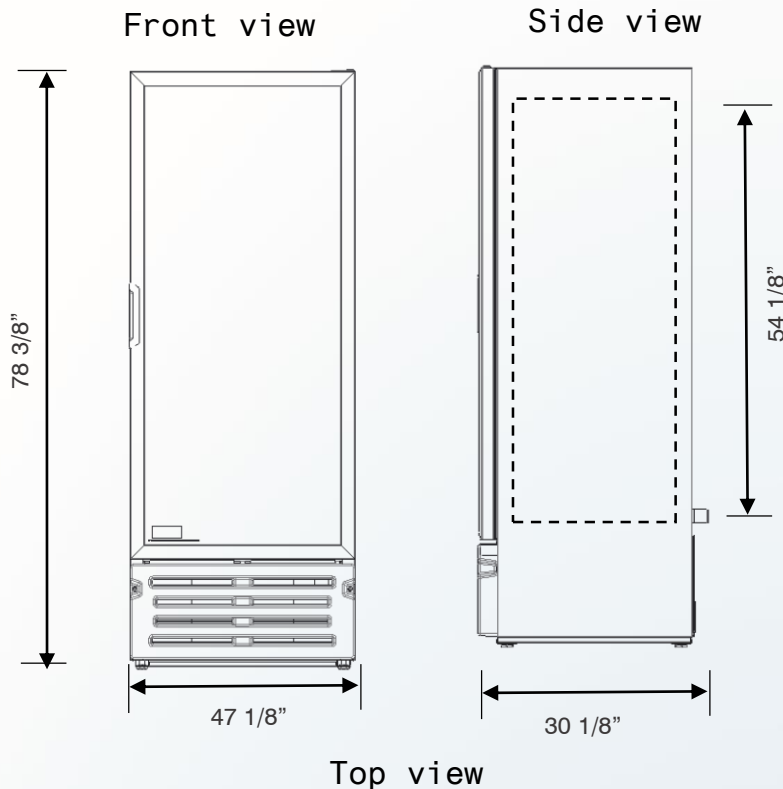
## ELECTRICAL DATA

|                |              |                |
|----------------|--------------|----------------|
| Power supply   | 115 / 60 Hz  |                |
| Amps           | 7.0 A        |                |
| Length of cord | 128" (327cm) |                |
| Lighting       | 3 modules    | 72 total LED'S |
| Plug type      | B            |                |
| Controller     | ETC1H        |                |

## LOGISTIC DATA

|                         |                    |
|-------------------------|--------------------|
| Trailer loads           | 20': 21            |
|                         | 40': 44            |
|                         | 53': 60            |
| Unit weight w/packaging | H: 51 7/8" (132cm) |
| Dimensions w/packaging  | W: 24 3/8" (61cm)  |
|                         | D: 19 1/8" (48cm)  |

## PRODUCT VIEWS



- \*Energy consumption based on C condition
- \*BMAD System (Low maintenance high performance)
- \*Dimensions rounded up to the nearest inch or millimeter
- \*Specifications subject to change without notice
- \*H: Height, W: Width, D: Depth
- \*\*Product capacity expressed at its highest level

Customer service and warranty  
Operators must follow installation and operational guidelines per Imbera Users Manual  
Each cooler must be connected directly to a single power supply, otherwise warranty will be voided

08/11/2023