


Assembly instruction Combi-Mix Station

2 Eloma Combi Steamers

Fix reinforcement **22**) before screwing the feet.

Place the lower unit **(2)** on top of the lower rack **(1)**.

Set up the pre-assembled intermediate frame **(20)** on the lower unit **(2)** and position it with screws **(12)** .

 The partition plate **(13)** must always be fastened with screws **(8)** on the control side.

Mount the S-tube **(4)** with the slightly greased sealing ring **(3)** to the exhaust air tube of the lower unit.

Place the upper unit **(18)** on top after having adjusted its feet to a length of 100 mm + 2.

Screw the rails **(14)** left and right to the bottom edge of the upper unit.

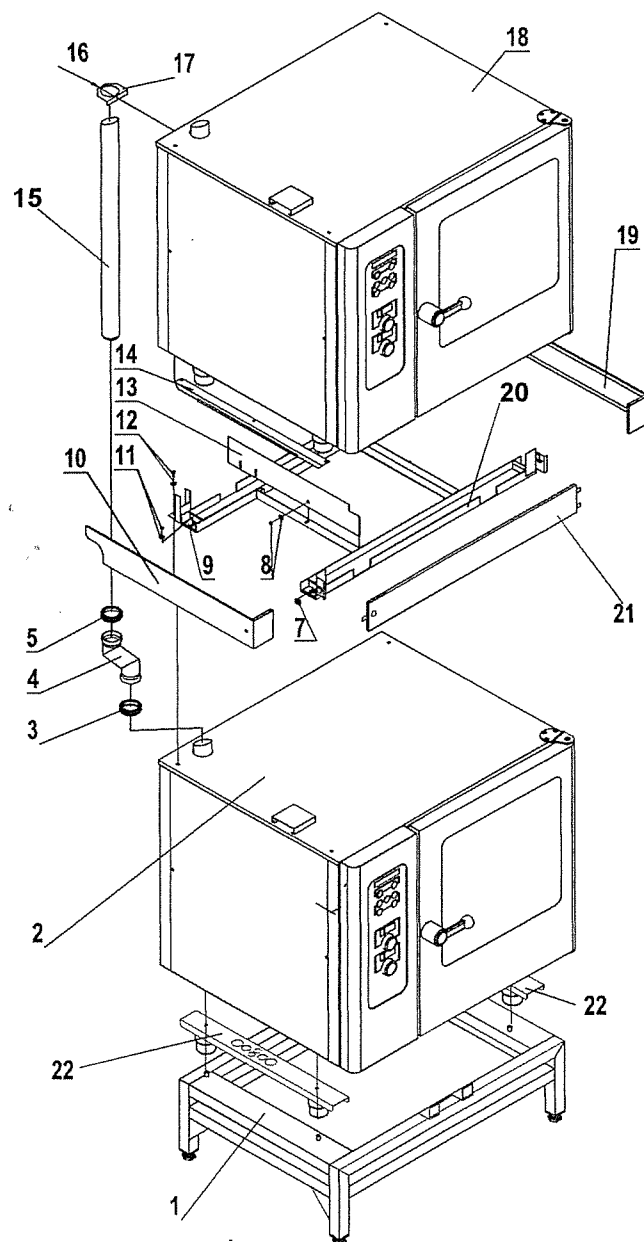
Push the side covering plates **(10, 19)** left and right from the front side into the rails **(14)** and arrest them in their locking on the backside.

Slip in front plate **(21)** on the right side and block it on the left side.

Mount the slightly greased sealing ring **(5)** of the S-tube to the exhaust air tube **(15)** .

Fasten the upper holding angle **(17)** of the exhaust air tube with the oval head screw **(16)** .

Disassemble the Combi-mix station in reverse order.



Dimensioned sketch Combi-Mix

eloma

920026