



# VERSASTEEL

## STAINLESS STEEL DISH CABINETS

DISH STORE. CABINET S/S (ALL SIZES)



**WARRANTY:**  
LIMITED ONE YEAR PARTS  
AND LABOUR

SPECIFICATIONS SUBJECT TO  
CHANGE WITHOUT  
NOTICE.



### S/S DISH CABINET

#### PRODUCT FEATURES:

- Heavy duty, 18-gauge, Type 430 stainless steel undershelf provides long life
- Flat Top Open Cabinet
- Re-enforced frame
- Channels
- Fully Welded and assembled
- Adjustable Stainless-Steel Shelf
- Adjustable Heavy-Duty Stainless-Steel leg assembly
- Entire top surface is machine polished to a satin finish
- Reinforced to exceed industry standards
- Legs are 1 5/8" diameter

#### ADDITIONAL IMAGES



#### MODEL DESIGNATIONS



#### ADDITIONAL RESOURCES

# STAINLESS STEEL DISH CABINETS

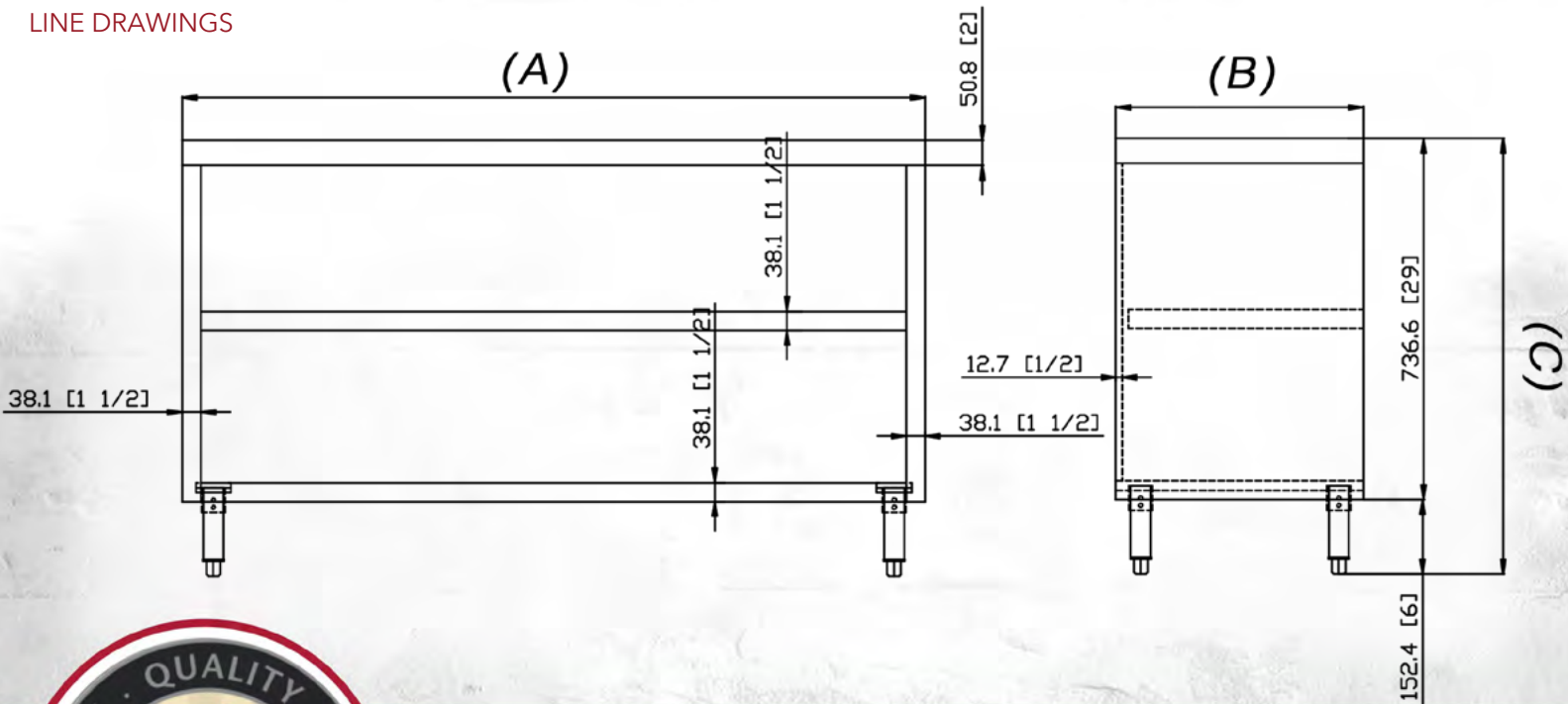
DISH STORE. CABINET S/S (ALL SIZES)

**DIMENSIONS**

Code	Assembled Dimensions								Load Capacity			
	Width (A)		Depth (B)		Height (C)		Weight		Top		Undershelf	
	in.	mm	in.	mm	in.	mm	Lbs	KG	Lbs	KG	Lbs	KG
TDC1548	48.0	1219	15.0	381	35.0	889	70	32	440	200	200	91
TDC1560	60.0	1524	15.0	381	35.0	889	75	34	440	200	200	91
TDC1572	72.0	1829	15.0	381	35.0	889	79	36	440	200	200	91
TDC1584	84.0	2134	15.0	381	35.0	889	79	36	440	200	200	91
TDC1596	96.0	2438	15.0	381	35.0	889	79	36	440	200	200	91
TDC2048	48.0	1219	20.0	508	35.0	889	88	40	484	220	200	91
TDC2060	60.0	1524	20.0	508	35.0	889	95	43	484	220	200	91
TDC2072	72.0	1829	20.0	508	35.0	889	110	50	528	240	200	91
TDC2084	84.0	2134	20.0	508	35.0	889	110	50	528	240	200	91
TDC2096	96.0	2438	20.0	508	35.0	889	110	50	528	240	200	91
TDC2436	36.0	914	24.0	610	35.0	889	86	39	440	200	200	91
TDC2448	48.0	1219	24.0	610	35.0	889	103	47	440	200	200	91
TDC2460	60.0	1524	24.0	610	35.0	889	121	55	484	220	200	91
TDC3036	36.0	914	30.0	762	35.0	889	97	44	528	240	200	91
TDC3048	48.0	1219	30.0	762	35.0	889	119	54	528	240	200	91
TDC3060	60.0	1524	30.0	762	35.0	889	141	64	528	240	200	91

Shipping Dimensions							
Width		Depth		Height		Weight	
in.	mm	in.	mm	in.	mm	Lbs	KG
48.6	1235	15.7	400	29.9	760	75	34
60.8	1545	15.7	400	29.9	760	77	35
72.8	1850	15.7	400	29.9	760	81	37
84.8	2154	15.7	400	29.9	760	81	37
96.8	2459	15.7	400	29.9	760	81	37
48.6	1235	20.9	530	29.9	760	90	41
60.8	1545	20.9	530	29.9	760	99	45
72.8	1850	20.9	530	29.9	760	114	52
84.8	2154	20.9	530	29.9	760	114	52
96.8	2459	20.9	530	29.9	760	114	52
36.8	935	24.8	630	29.9	760	90	41
48.8	1240	24.8	630	29.9	760	108	49
60.8	1545	24.8	630	29.9	760	125	57
36.8	935	30.7	780	29.9	760	101	46
48.8	1240	30.7	780	29.9	760	123	56
60.8	1545	30.7	780	29.9	760	145	66

**LINE DRAWINGS**



EFI Sales Ltd.  
Toronto Office & DC  
515 Hanlon Creek Blvd.  
Guelph, ON, N1C 0A1

EFI Sales Ltd.  
Vancouver Office & DC  
26895 Gloucester Way  
Langley, BC, V4W 3Y3

(888) 565-9920 Toll Free  
(519) 822-1895 Toronto  
(604) 607-8850 Vancouver

