



ADA Compliant

This Space for Architect/Engineer Approval

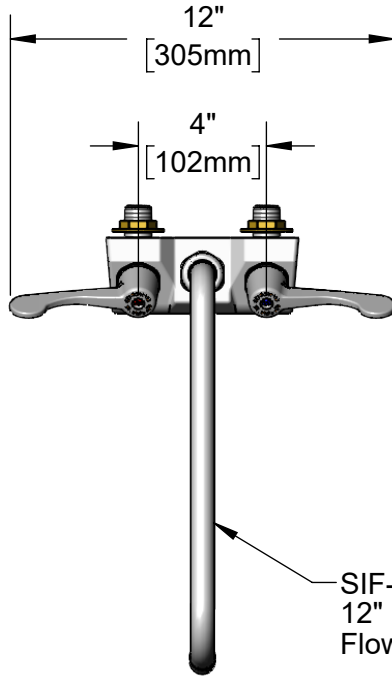
Job Name _____ Date _____

Model Specified _____ Quantity _____

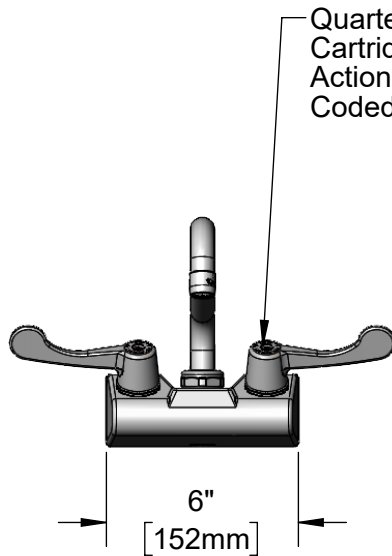
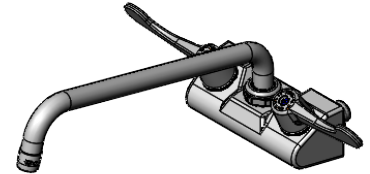
Customer/Wholesaler _____

Contractor _____

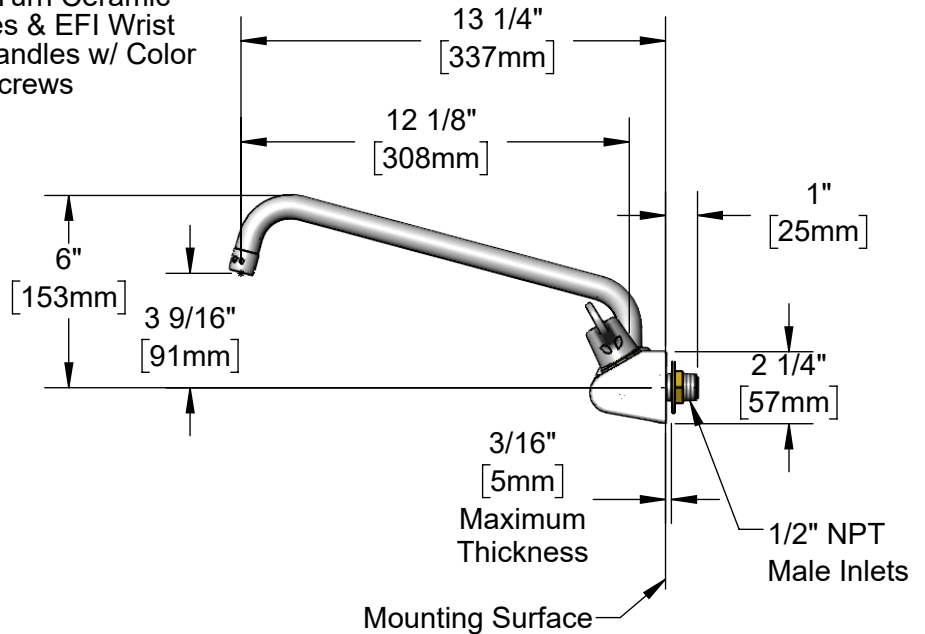
Architect/Engineer _____



SIF-SN12
12" Swing Nozzle w/ Laminar
Flow Outlet Device



Quarter-Turn Ceramic
Cartridges & EFI Wrist
Action Handles w/ Color
Coded Screws



Rough-In Requirement:
(2) \varnothing 1" [25mm] Mounting Holes

Model Number
SIF-F4WW12

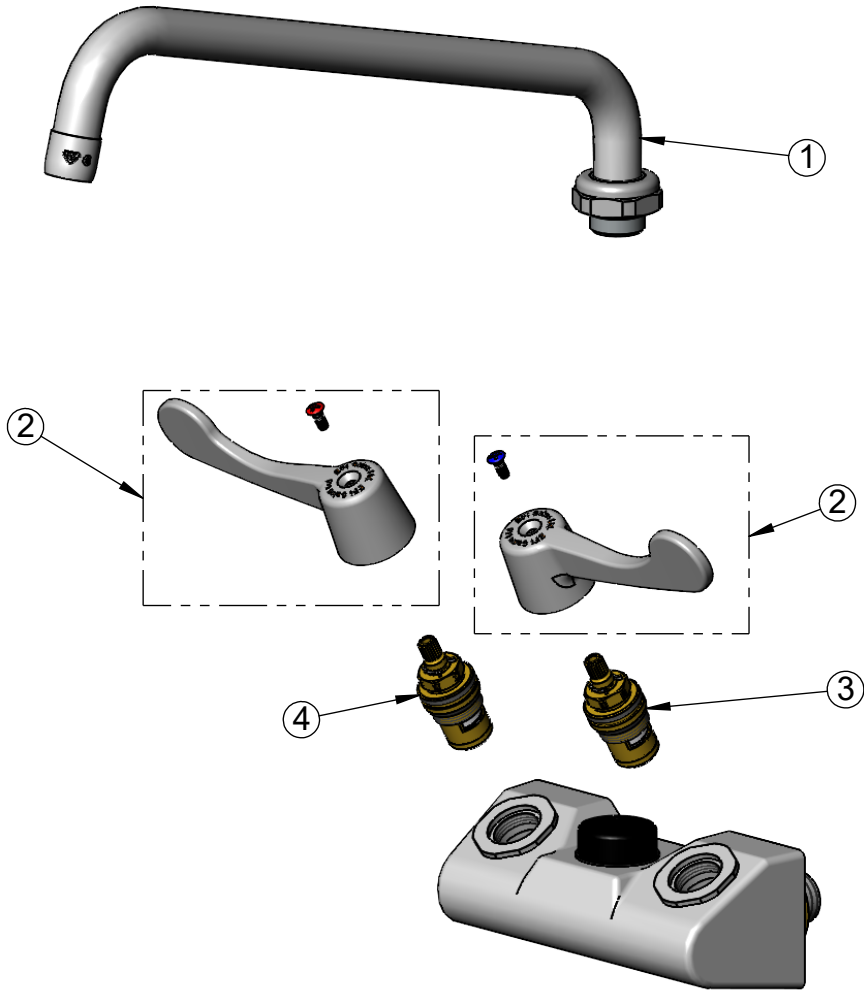
Product Specifications:
**4" Wall Mount Mixing Faucet, Quarter-Turn Ceramic Cartridges,
EFI Wrist Action Handles, 12" Swing Nozzle w/ Laminar Flow
Outlet Device & 1/2" NPT Male Inlets**

Product Compliance:
ASME A112.18.1 / CSA B125.1
NSF 61 - Section 9
NSF 372 (Low Lead Content)
ANSI A117.1 (ADA)



26895 Gloucester Way
Langley BC V4W 3Y3
Toll Free: 1.888.565.9020
Phone: 604.607.8850
effoodequip.com

ITEM NO.	SALES NO.	DESCRIPTION
1	SIF-SN12	12" Swing Nozzle w/ Laminar Flow Outlet Device
2	SIF-WA4	EFI Wrist Action Handle w/ Color Coded Screws
3	013788-45	Quarter-Turn Ceramic Cartridge, LTC
4	013787-45	Quarter-Turn Ceramic Cartridge, RTC



Model Number

SIF-F4WW12

Product Specifications:

4" Wall Mount Mixing Faucet, Quarter-Turn Ceramic Cartridges, EFI Wrist Action Handles, 12" Swing Nozzle w/ Laminar Flow Outlet Device & 1/2" NPT Male Inlets

Product Compliance:

ASME A112.18.1 / CSA B125.1
 NSF 61 - Section 9
 NSF 372 (Low Lead Content)
 ANSI A117.1 (ADA)



26895 Gloucester Way
 Langley BC V4W 3Y3
 Toll Free: 1.888.565.9020
 Phone: 604.607.8850
 efifoodequip.com