

ADA Compliant

This Space for Architect/Engineer Approval

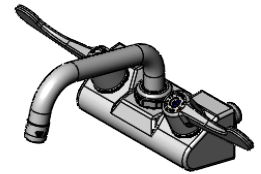
Job Name _____ Date _____

Model Specified _____ Quantity _____

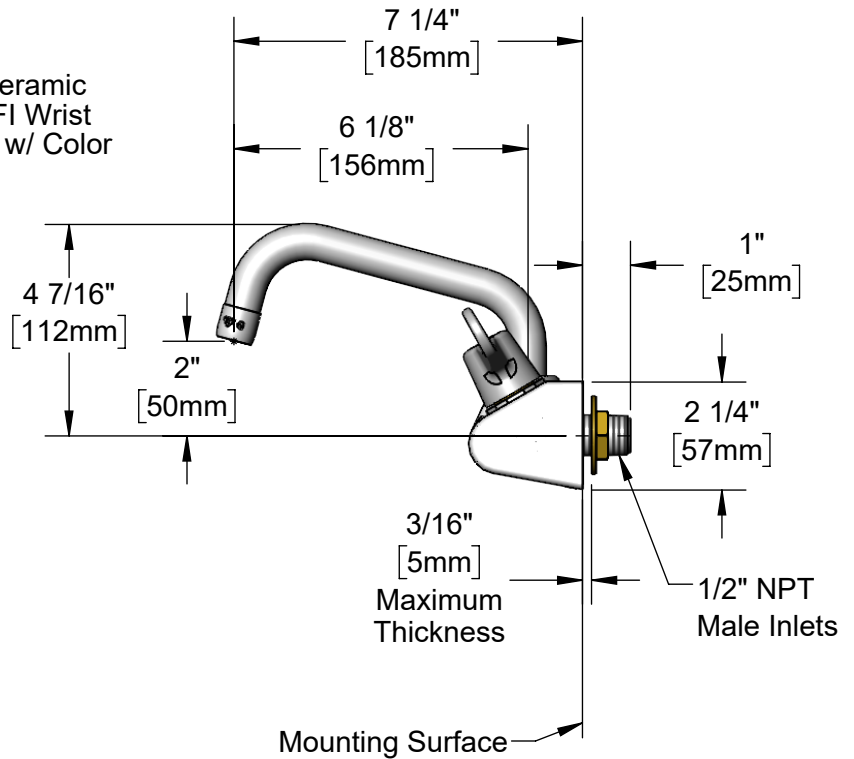
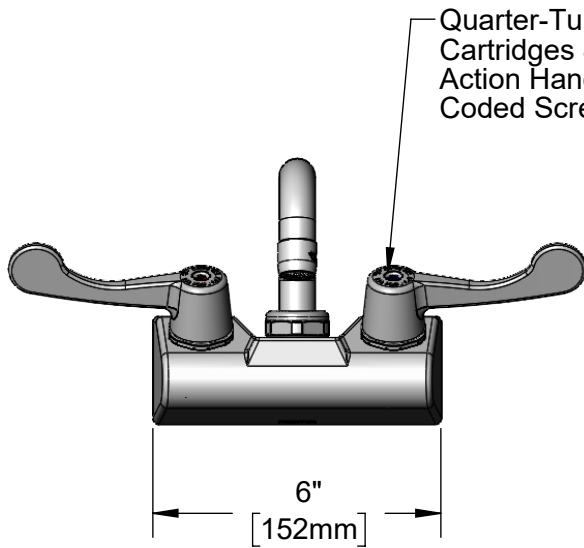
Customer/Wholesaler _____

Contractor _____

Architect/Engineer _____



SIF-SN06
6" Swing Nozzle w/ Laminar
Flow Outlet Device



Rough-In Requirement:
(2) \varnothing 1" [25mm] Mounting Holes

Model Number

SIF-F4WW06

Product Specifications:

4" Wall Mount Mixing Faucet, Quarter-Turn Ceramic Cartridges, EFI Wrist Action Handles, 6" Swing Nozzle w/ Laminar Flow Outlet Device & 1/2" NPT Male Inlets

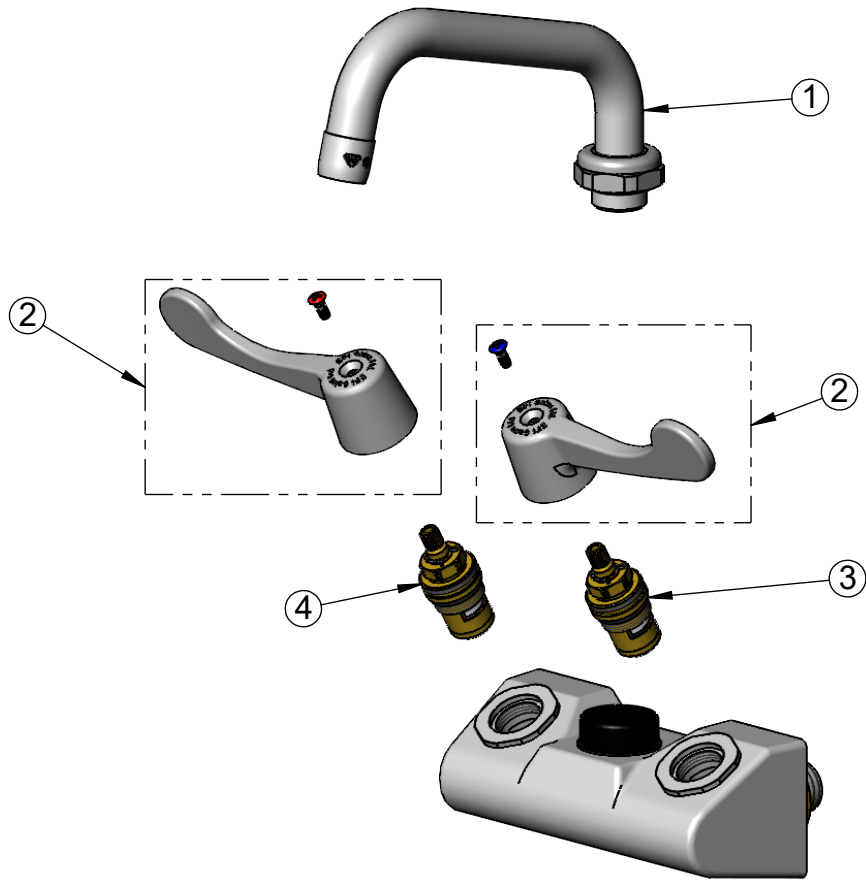
Product Compliance:

ASME A112.18.1 / CSA B125.1
NSF 61 - Section 9
NSF 372 (Low Lead Content)
ANSI A117.1 (ADA)



26895 Gloucester Way
Langley BC V4W 3Y3
Toll Free: 1.888.565.9020
Phone: 604.607.8850
efifoodequip.com

ITEM NO.	SALES NO.	DESCRIPTION
1	SIF-SN06	6" Swing Nozzle w/ Laminar Flow Outlet Device
2	SIF-WA4	EFI Wrist Action Handle w/ Color Coded Screws
3	013788-45	Quarter-Turn Ceramic Cartridge, LTC
4	013787-45	Quarter-Turn Ceramic Cartridge, RTC



Model Number

SIF-F4WW06

Product Specifications:

4" Wall Mount Mixing Faucet, Quarter-Turn Ceramic Cartridges, EFI Wrist Action Handles, 6" Swing Nozzle w/ Laminar Flow Outlet Device & 1/2" NPT Male Inlets

Product Compliance:

ASME A112.18.1 / CSA B125.1
NSF 61 - Section 9
NSF 372 (Low Lead Content)
ANSI A117.1 (ADA)

efi sales Ltd

26895 Gloucester Way
Langley BC V4W 3Y3
Toll Free: 1.888.565.9020
Phone: 604.607.8850
efifoodequip.com