

ADA Compliant

This Space for Architect/Engineer Approval

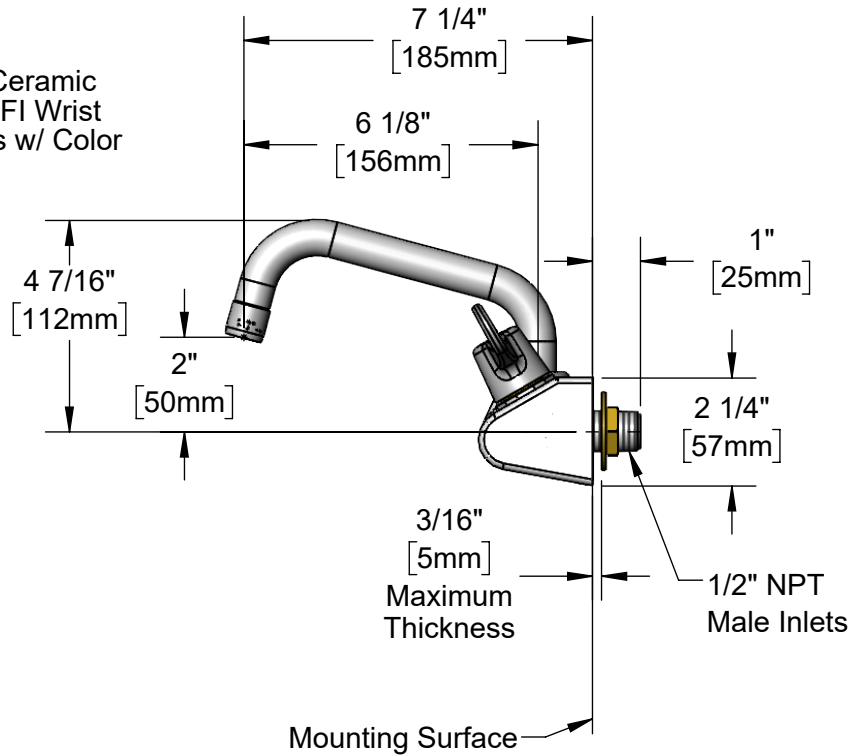
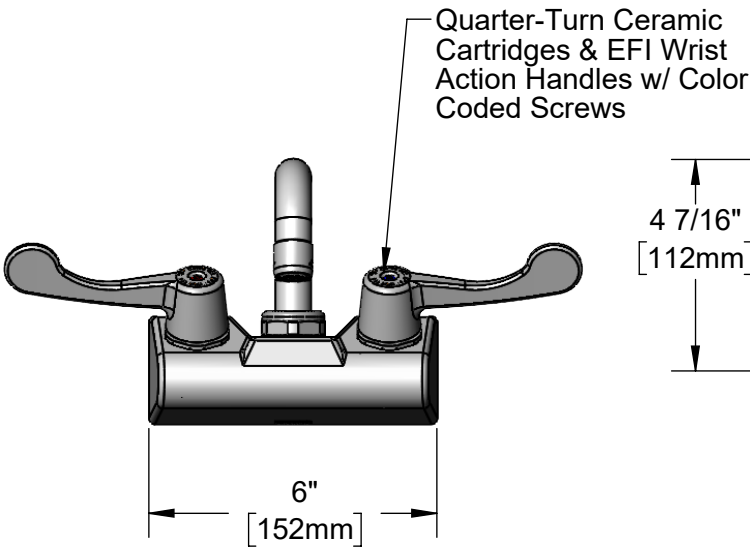
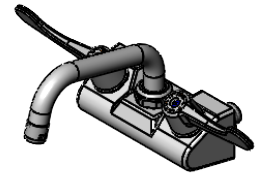
Job Name _____ Date _____

Model Specified _____ Quantity _____

Customer/Wholesaler _____

Contractor _____

Architect/Engineer _____



Rough-In Requirement:
(2) \varnothing 1" [25mm] Mounting Holes

Model Number
SIF-F4WW06A

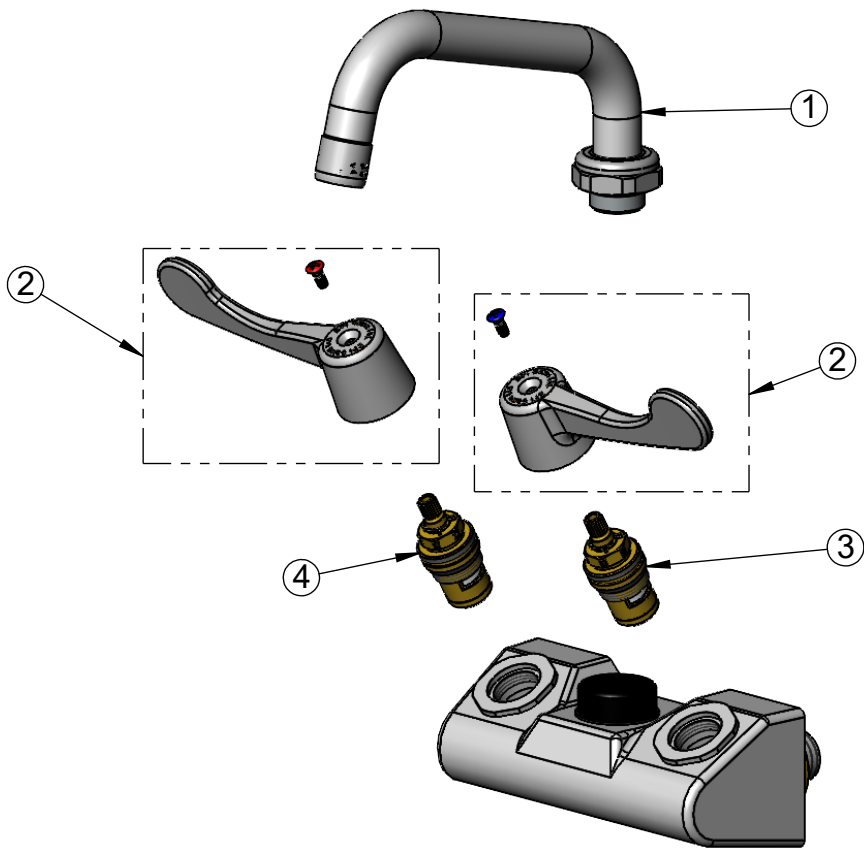
Product Specifications:
4" Wall Mount Mixing Faucet, Quarter-Turn Ceramic Cartridges, EFI Wrist Action Handles, 6" Swing Nozzle w/ 2.2 GPM Aerator & 1/2" NPT Male Inlets

Product Compliance:
ASME A112.18.1 / CSA B125.1
NSF 61 - Section 9
NSF 372 (Low Lead Content)
ANSI A117.1 (ADA)



26895 Gloucester Way
Langley BC V4W 3Y3
Toll Free: 1.888.565.9020
Phone: 604.607.8850
efifoodequip.com

ITEM NO.	SALES NO.	DESCRIPTION
1	SIF-SN06A	6" Swing Nozzle w/ 2.2 GPM Aerator
2	SIF-WA4	EFI Wrist Action Handle w/ Color Coded Screws
3	013788-45	Quarter-Turn Ceramic Cartridge, LTC
4	013787-45	Quarter-Turn Ceramic Cartridge, RTC



Model Number

SIF-F4WW06A

Product Specifications:

**4" Wall Mount Mixing Faucet, Quarter-Turn Ceramic Cartridges,
EFI Wrist Action Handles, 6" Swing Nozzle w/ 2.2 GPM Aerator
& 1/2" NPT Male Inlets**

Product Compliance:

ASME A112.18.1 / CSA B125.1
NSF 61 - Section 9
NSF 372 (Low Lead Content)
ANSI A117.1 (ADA)



26895 Gloucester Way
Langley BC V4W 3Y3
Toll Free: 1.888.565.9020
Phone; 604.607.8850
efifoodequip.com