




Equipment for the Foodservice Industry
value + quality + service

18" COMPARTMENT CENTER DRAIN SINKS



SI818-3RC 

18" COMPARTMENT CENTER DRAIN SINKS **Features**

Features:

- 18 gauge, Type 304 stainless steel construction for lasting durability
- Coved corners for safety and easy cleaning
- Die-stamped drain boards and sink bottoms for positive drainage
- Sinks come with an 14" deep bowl and are available with center or corner drain
- Wall clips are provided for neat and easy installation
- All sinks come with 8" center pre-cut and holes for standard wall mount faucets (faucet not included)
- Center drain sinks have 3½" drain holes and come with a drain basket
- Sink heights are 36" floor to rim and 44½" floor to top of backsplash
- Seamless one piece construction with 5/8" radius corners for easy cleaning
- All TIG welded
- Welded areas are blended to match adjacent surface and blended to a satin finish
- Gussets are welded to a die embossed reinforced plate
- Optional leg braces are available for additional support in heavy duty applications
- Stainless steel legs with welded leg brace



18" COMPARTMENT CENTER DRAIN SINKS **Specifications**

18" SINGLE COMPARTMENT

Product #	Style	Shipping Dimensions			Weight (lbs)
		W"	D"	H"	
SI818-1NC		24	24	27	51
SI818-1LC		39	24	27	60
SI818-1RC		39	24	27	60
SI818-1BC		54	24	27	69

SI818-1NC



18" 2 COMPARTMENT

Product #	Style	Shipping Dimensions			Weight (lbs)
		W"	D"	H"	
SI818-2NC		42	24	27	73
SI818-2LC		57	24	27	82
SI818-2RC		57	24	27	82
SI818-2BC		72	24	27	91

SI818-2NC



18" 3 COMPARTMENT

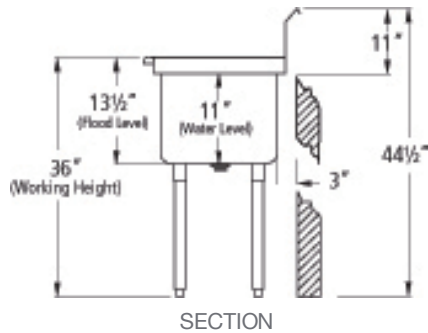
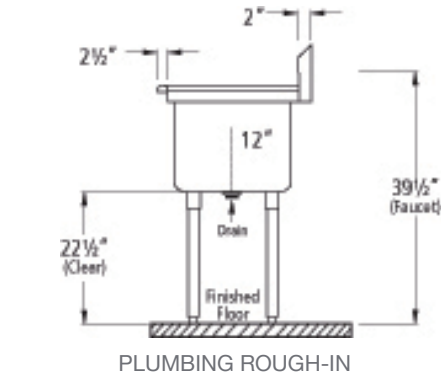
Product #	Style	Shipping Dimensions			Weight (lbs)
		W"	D"	H"	
SI818-3NC		60	24	27	95
SI818-3LC		75	24	27	104
SI818-3RC		75	24	27	104
SI818-3BC		90	24	27	113

SI818-3NC



Specifications subject to change without notice.

18" COMPARTMENT CENTER DRAIN SINKS Specifications

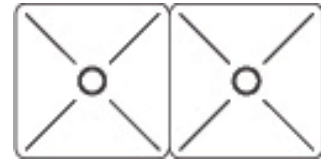


18" COMPARTMENT
CENTER DRAIN SINKS
3 1/2" DRAIN BASKET

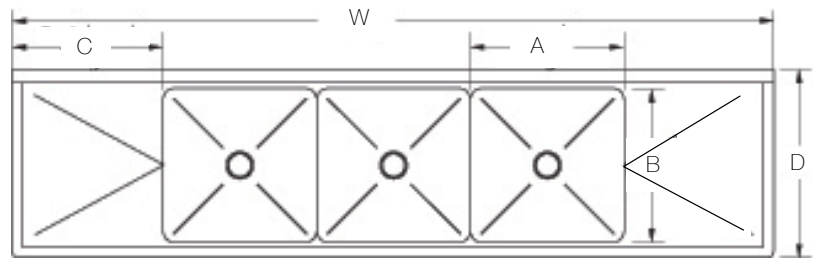
DIMENSIONS



SINGLE COMPARTMENT



2 COMPARTMENTS



3 COMPARTMENTS (WITH DRAIN BOARDS)

Product #	Drain Location	Overall Width (W)	Depth (D)	No. of Bowls	Bowl Size (A & B)	No. of Drainboards	Drainboard Width (C)	Drainboard Location
SI818-1NC	Center	23"	23 1/2"	1	18" x 18"	0	N/A	N/A
SI818-1LC	Center	38 1/2"	23 1/2"	1	18" x 18"	1	18"	L
SI818-1RC	Center	38 1/2"	23 1/2"	1	18" x 18"	1	18"	R
SI818-1BC	Center	54"	23 1/2"	1	18" x 18"	2	18"	R & L
SI818-2NC	Center	41"	23 1/2"	2	18" x 18"	0	N/A	N/A
SI818-2LC	Center	56 1/2"	23 1/2"	2	18" x 18"	1	18"	L
SI818-2RC	Center	56 1/2"	23 1/2"	2	18" x 18"	1	18"	R
SI818-2BC	Center	72"	23 1/2"	2	18" x 18"	2	18"	R & L
SI818-3NC	Center	59"	23 1/2"	3	18" x 18"	0	N/A	N/A
SI818-3LC	Center	74 1/2"	23 1/2"	3	18" x 18"	1	18"	L
SI818-3RC	Center	74 1/2"	23 1/2"	3	18" x 18"	1	18"	R
SI818-3BC	Center	90"	23 1/2"	3	18" x 18"	2	18"	R & L