

efi sales Ltd.

Equipment for the Foodservice Industry
value + quality + service

Soup Kettles - Cyclinders 5.7 L



Soup Kettles

Features

Features:

- Exterior construction is made out of high quality material, either black powder coated or stainless steel
- Both models includes stainless steel lid
- 5.7 litre capacity
- Temperature knob with 12 steps
- Maximum temperature 85°C
- Keeps liquids such as soups and sauces warm at a ready to serve temperature
- Heating/keep warm light



Soup Kettles

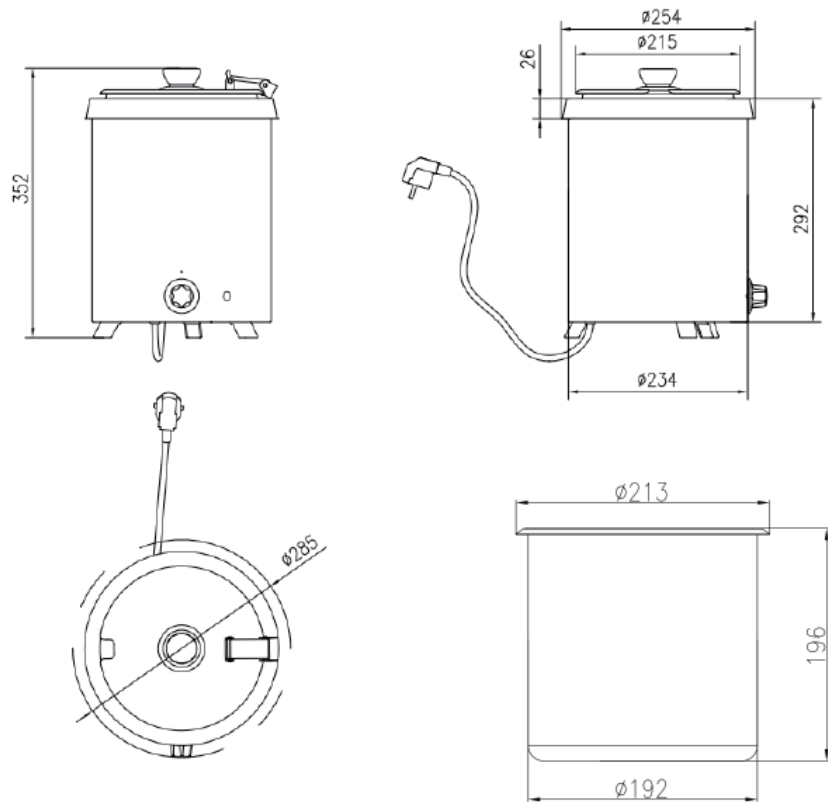
Specifications

Exterior Construction

Black Powder Coated

or

Stainless Steel



Model	Description	Dimension (mm / inch)		Heating Power	Voltage	Insert Capacity (L / QT)	Net Weight (KG / LBS)	NEMA Config.
		Dia.	H					
SA-SKCYBK57	Black Powder Coated	285	352	300W	110/60	5.7	3.5	5-15P
		11.2	13.9			6	7.7	
SA-SKCYSS57	Stainless Steel	285	352	300W	110/60	5.7	3.4	5-15P
		11.2	13.9			6	7.5	

Equipped with one NEMA 5-15P plug 

Shipping Information

Crate Dimensions (mm / inch)			Net Weight (KG / LBS)	Gross Weight (KG / LBS)
W	D	H		
287	290	400	3.5	4.15
11.3	11.4	15.7	7.7	9.15

Specifications subject to change without notice.