



**P** VERSA  
**PREMIER**

**FUDR2-48VCP**

**FREEZER 2DR UNDERCOUNTER S/S 48in**



**WARRANTY:**  
TWO YEAR PARTS AND  
LABOUR; FIVE YEARS ON  
COMPRESSOR  
  
SPECIFICATIONS SUBJECT TO  
CHANGE WITHOUT NOTICE.



**FUDR2-48VCP**

**48 INCH 2 DOOR**

**UNDERCOUNTER FREEZER**

- Premium quality materials and craftsmanship
- Finger-print resistant heavy-gauge Stainless Steel exterior finish
- Clear coated Aluminum Liner
- Adjustable Heavy-Duty Epoxy coated shelves
- Casters for easy movement
- Locking Doors
- Magnetic door gaskets
- Recessed door handles

- Sophisticated Digital Controller to ensure steady temp range from -8 to 0°F (-22 to -17°C)
- Positive Seal self-closing doors w/stay open feature
- Automatic defrost system
- Environmentally friendly R290 hydro carbon refrigerant
- Exclusive low maintenance evaporator coil
- Bluetooth and Wi-Fi connectivity ready
- Available *EFI Cold Connect™* Monitoring Service (extra charge applies)
- Extended 5-year warranty included with *EFI Cold Connect™* subscription

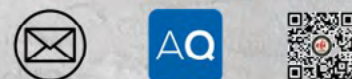
ADDITIONAL IMAGES



MODEL DESIGNATIONS



ADDITIONAL RESOURCES



### DIMENSIONS

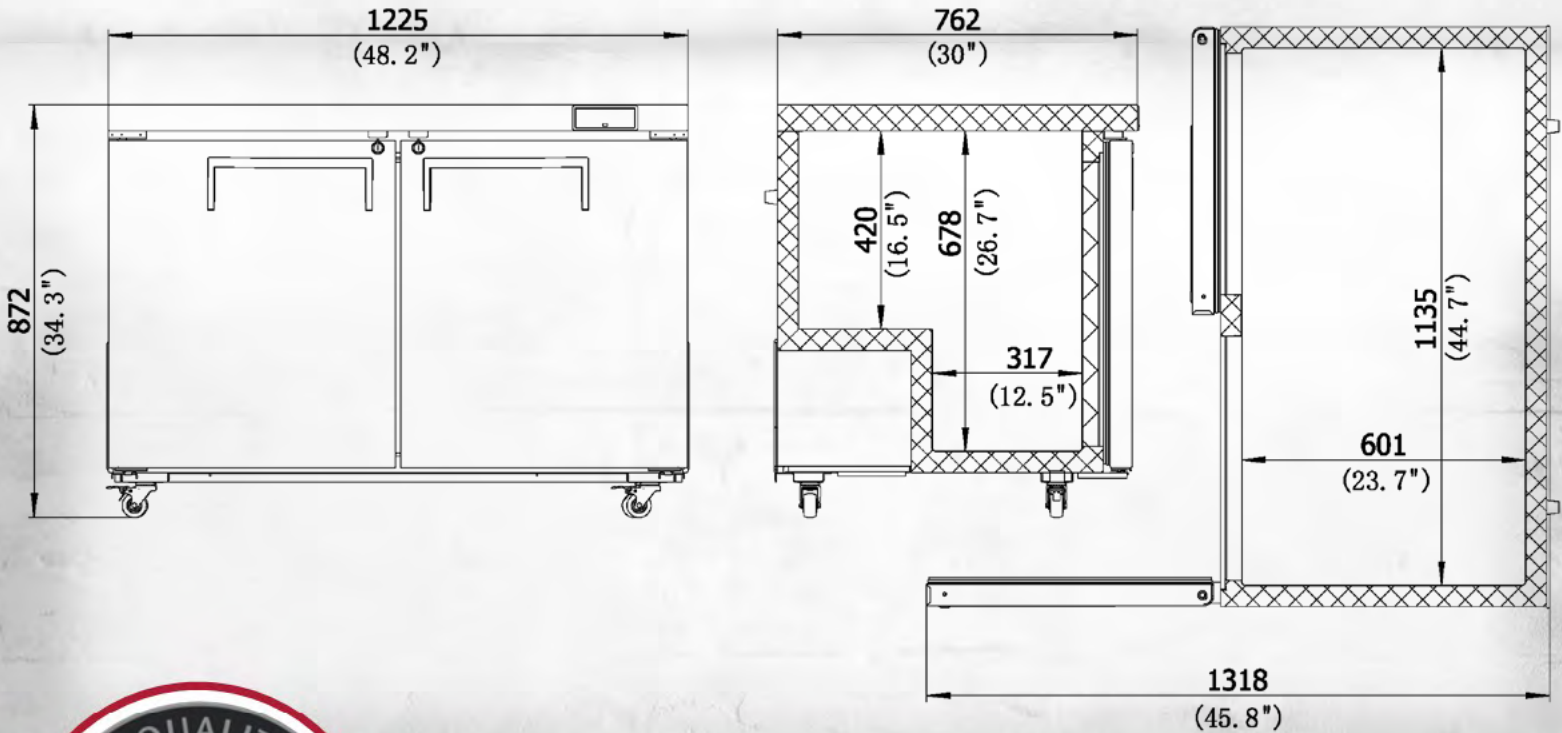
| Dimensions | Width  |         | Depth  |       | Height |         | Weight |       |
|------------|--------|---------|--------|-------|--------|---------|--------|-------|
|            | Inches | mm      | Inches | mm    | Inches | mm      | Lbs    | KG    |
| Exterior   | 48.2   | 1,225.0 | 30.0   | 762.0 | 34.3   | 872.0   | 180.8  | 82.0  |
| Shipping   | 50.0   | 1,272.0 | 31.9   | 810.0 | 40.6   | 1,030.0 | 238.0  | 108.0 |
| Interior   | 44.7   | 1,135.0 | 23.7   | 601.0 | 26.7   | 678.0   |        |       |

### TECHNICAL

| Pans | Capacity | Doors | Shelves | Casters | HP  | Amps | Voltage | Refrig | Plug  | Cord len |
|------|----------|-------|---------|---------|-----|------|---------|--------|-------|----------|
| 0    | 368/13   | 2     | 2       | 2"      | 1/4 | 2.3  | 115     | R290   | 5-15P | ≥1.8m    |



### LINE DRAWINGS



EFI Sales Ltd.  
 Toronto Office & DC  
 515 Hanlon Creek Blvd.  
 Guelph, ON, N1C 0A1

EFI Sales Ltd.  
 Vancouver Office & DC  
 26895 Gloucester Way  
 Langley, BC, V4W 3Y3

(888) 565-9920 Toll Free  
 (519) 822-1895 Toronto  
 (604) 607-8850 Vancouver