

Pastry

H 46 3/16 [H117] • 53 1/4 [H135]
 L 46 23/32 [120] • 66 7/32 [170] • 85 23/32 [220]



H 135

Installation	Plug-in	●
	Remote	□
Refrigerant	R290	●
Configuration	Channeling	□
Lighting	Led 5700 K	●
Refrigeration	Ventilated	●
Climatic class	3	●
Operator side closure	Plexiglass sliding doors	●
	Self rolling curtain	□
Control panel	Electronic	●
Work top	Solid surface white	●
Equipment handling	Swivel casters with brake and height adjustable feet	●
Glass shelves	1 [H 117] - 2 [H 135]	●

● Standard □ Special order

Colors Side panel - Front panel and Grid

RAL 7022
 Grey ●

RAL
 on request □

● Standard □ Special order

Supercapri Pastry			120	170	220
External dimensions	Lenght	inch	46 23/32	66 7/32	85 23/32
Capacity	Gross / Net	liters	H 117	685 / 147	1009 / 216
			H 135	824 / 147	1212 / 216
Weight	Net	lb	H 117	661	826,7
			H 135	716,5	903,9
Climate class			3		
Operating conditions		°F / %RH [°C / %RH]	77 / 60 [25 / 60]		
Product temperature		°F [°C]	33,8 / 50 [+1 / +10]		
Refrigerant			R290		
Compressor	Type / Q.ty		Hermetic / 1		
Defrost			Off Cycle		

Electrical data

Technical info refers to models with built-in air cooled condensing unit

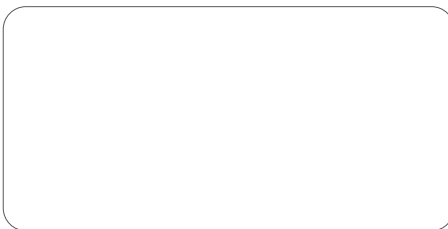
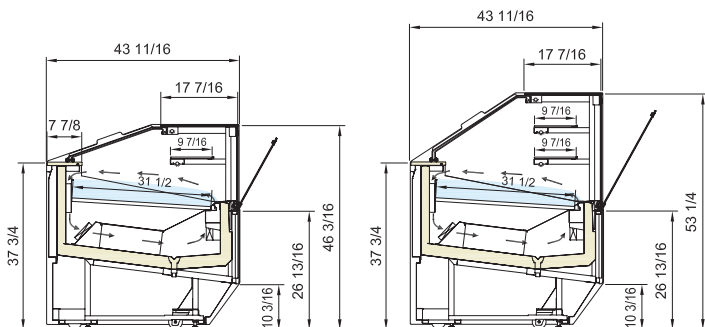
Power supply	115 V / 1 Ph / 60 Hz				
Nema plug	5-15P				
Electrical input	A	7,1	7,6	7,2	

Packaging

Type	Pallet + Carton				
External dimensions	Lenght	inch	54,3	73,8	93,3
	Depth x Height	inch	53 17/32 x 61 11/16		
Gross weight	Gross	lb	H 117	716,5	881,8
			H 135	760,6	959

H 117

H 135



Dealer

Carpigiani North America

738 Gallimore Dairy Road
Suite 113
High Point, NC 27265
USA
Office. 800.648.4389

www.carpigiani.com/us

ISA S.p.A.

Via Madonna di campagna, 123
06083 Bastia Umbra [PG]
Italy
T. +39 075 801 71
F. +39 075 800 09 00
E. customerservice@isaitaly.com
www.isaitaly.com