

## Gelato Plus

H 49 1/2 [H125] • 55 7/16 [H140]  
 L 46 5/16 [120] • 65 25/32 [170] • 85 9/32 [220]



H 140

Installation	Plug-in	●
	Remote	□
Refrigerant	R290	●
Configuration	Channeling	□
	Dual temperature	□
Lighting	Led 5700 K	●
Refrigeration	Ventilated	●
Climatic class	7	●
Operator side closure	Plexiglass sliding doors	●
	Self rolling curtain	□
Control panel	Electronic	●
Work top	Solid surface white	●
Equipment handling	Swivel casters with brake and height adjustable feet	●

● Standard □ Special order

Colors	Side panels	Front panel	Grid
Corian™ Glacier White	●	●	
RAL 9003 White			●
Corian™ Clay	□	□	
Corian™ Pearl Gray	□	□	
Corian™ Bisque	□	□	
RAL on request	□	□	□

● Standard □ Special order

Configuration	120	170	220
<b>Stainless steel containers</b> Not included			
Standard 14 3/16 x 6 1/2 x 4 23/32H	12 	18 	24 
5 lt Large 14 3/16 x 9 27/32 x 3 2/32H	8 	12 	16 

			120	170	220
External dimensions	Lenght	inch	46 5/16	65 25/32	85 9/32
Capacity	Gross / Net	liters	H 125	719 / 147	1059 / 216
			H 140	865 / 147	1273 / 216
Weight	Net	lb	H 125	661,4	826,7
			H 140	716,5	848,7
Climate class			7		
Operating conditions			°F / %RH [°C / %RH] 95 / 75 [35 / 75]		
Cabinet capacity range			°F [°C] -4 / 35,6 [-20 / +2]		
Product temperature			°F [°C] 3,2 / 6,8 [-16 / -14]		
Refrigerant			R290		
Compressor	Type / Q.ty		Hermetic / 1	Hermetics / 2	
Defrost			Reverse cycle		

**Electrical data**

Technical info refers to models with built-in air cooled condensing unit

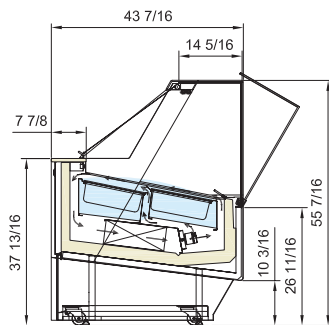
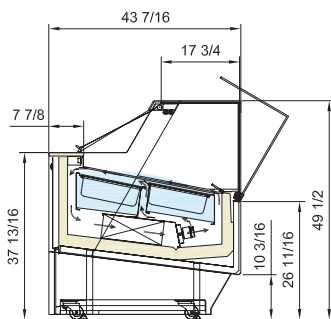
Power supply			220 V / 1 Ph / 60 Hz		
Nema plug			6-15P	6-20P	
Electrical input	A		7,1	13,6	14,1

**Packaging**

Type			Pallet + Carton		
External dimensions	Lenght	inch	54 11/32	73 13/16	93 5/16
	Depth x Height	inch	53 17/32 x 61 11/16		
Gross weight	Gross	lb	H 125	705,5	881,8
			H 140	760,6	903,8

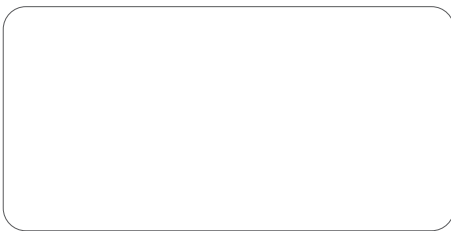
**H 125**

**H 140**



PLUS

Single evaporator with double front air out flow.  
Fixed deflectors.



Dealer

**Carpigiani North America**

738 Gallimore Dairy Road  
Suite 113  
High Point, NC 27265  
USA  
Office. 800.648.4389

[www.carpigiani.com/us](http://www.carpigiani.com/us)

**ISA S.p.A.**

Via Madonna di campagna, 123  
06083 Bastia Umbra [PG]  
Italy  
T. +39 075 801 71  
F. +39 075 800 09 00  
E. [customerservice@isaitaly.com](mailto:customerservice@isaitaly.com)  
[www.isaitaly.com](http://www.isaitaly.com)