

# Il Carrettino Classic



Gelato

H 81 15/16

L 78 3/4



Yellow Graphic

Installation	Plug-in	●
Refrigerant	R290	●
	Scoop washer with water tap	●
Configuration	Tanks for water	●
	Sun curtain	●
Lighting	Led 5700 K	●
Refrigeration	Ventilated	●
Climatic class	4	●
Operator side closure	Tilting panel	●
Control panel	Electronic	●
Work top	Stainless steel	●
Equipment handling	2 ray wheels and one pivoting wheel with brake	●

● Standard

## Colors

Yellow Graphic	●	
RAL 9003 White	□	
Brown Graphic	□	
Black	□	

● Standard □ Special order

## Configuration

Stainless steel containers Not included

4,75 lt	<b>Standard</b> 10 1/4 x 6 3/16 x 6 11/16H		10 
5 lt	<b>Large</b> 14 3/16 x 6 1/2 x 4 23/32H (Piled up double row)		12: 6 + [6] 



Stainless steel containers  
**Large**  
5 lt - 14 3/16 x 6 1/2 x 4 23/32H  
(Piled up double row)

## Il Carrettino Classic - Gelato

## CLASSIC

External dimensions	Lenght	inch	78 3/4
Capacity	Gross / Net	liters	260 / 104
Weight	Net	lb	452
Climate class			4
Operating conditions		°F / %RH [°C / %RH]	86 / 55 [30 / 55]
Product temperature		°F [°C]	3,2 / 6,8 [-16 / -14]
Refrigerant			R290
Compressor	Type / Q.ty		Hermetic / 1
Defrost			Hot gas

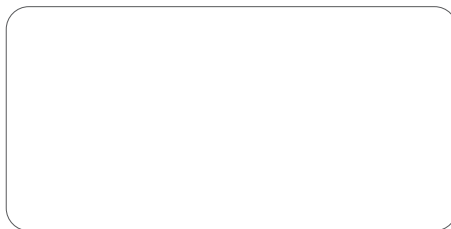
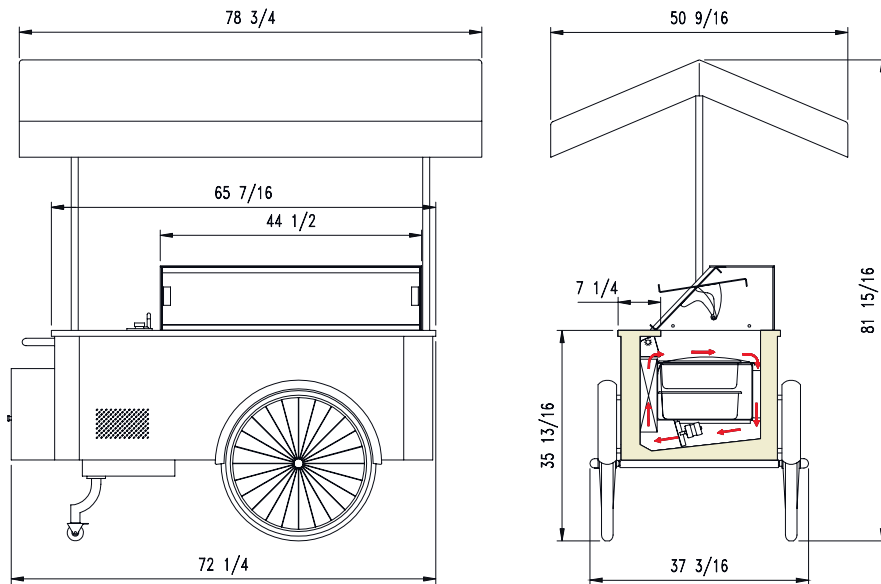
### Electrical data

Technical info refers to models with built-in air cooled condensing unit

Power supply	V	115 V / 1 Ph / 60 Hz
Nema plug		5-15P
Electrical input	A	7

### Packaging

Type		Pallet + Carton	
External dimensions	Lenght	inch	75 3/16
	Depth x Height	inch	29 29/32 x 41 11/32
Gross weight	Gross	lb	510



Dealer

### Carpigiani North America

738 Gallimore Dairy Road  
Suite 113  
High Point, NC 27265  
USA  
Office. 800.648.4389

[www.carpigiani.com/us](http://www.carpigiani.com/us)

### ISA S.p.A.

Via Madonna di campagna, 123  
06083 Bastia Umbra [PG]  
Italy  
T. +39 075 801 71  
F. +39 075 800 09 00  
E. [customerservice@isaitaly.com](mailto:customerservice@isaitaly.com)  
[www.isaitaly.com](http://www.isaitaly.com)